

VALVE ELECTRONIC

CV2028

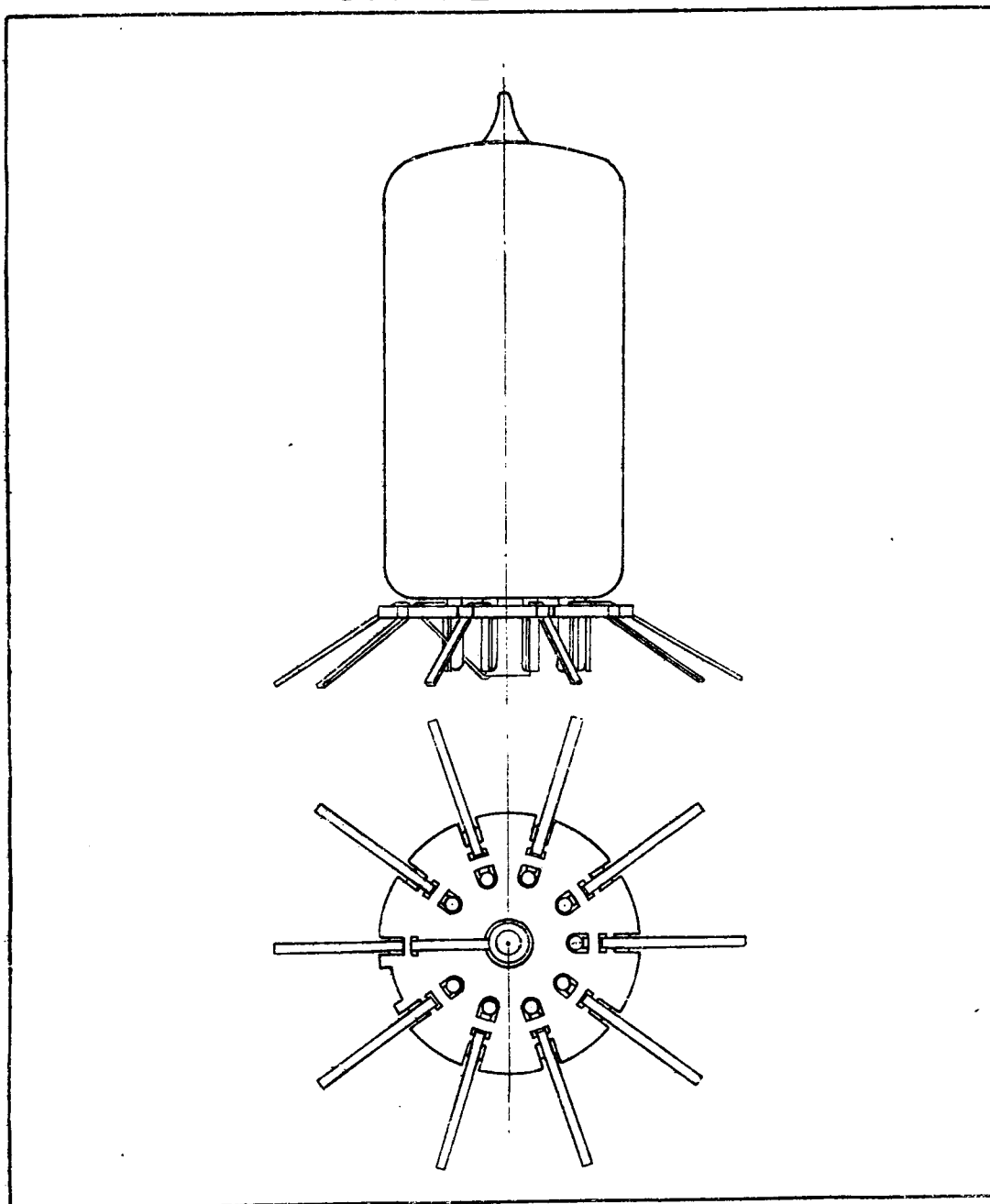
GENERAL POST OFFICE: E-IN-C (S)

Specification: GPO/CV 2028/Issue 1 Dated: June 1956 To be read in conjunction with K 1001	<u>SECURITY</u>	
	<u>Specification</u>	<u>Valve</u>
	Unclassified	Unclassified

<u>TYPE OF VALVE:</u> HF Pentode <u>CATHODE:</u> Indirectly heated <u>ENVELOPE:</u> Glass unmetallised <u>PROTOTYPE</u> CV 3998 (E108 F)	<u>MARKING</u>
	See K 1001/4.1
	<u>PACKING</u>
	See K 1005
	<u>BASE</u>
	B 9A/B
<p>This valve is a CV 3998 with tags welded to the pins and fitted with a SRBP disk in accordance with P.O. drawing CD 733 and intended for mounting in a B7G solder-in valveholder.</p>	

# CV2028

## OUTLINE DRAWING



CV 2028/1/2