
TENTATIVE**GENERAL**

The 16J12 is a directly heated forced air cooled triode. It has a thoriated tungsten filament and is intended for use in transmitting equipment. The filament is suitable for direct switching.

RATINGS

Filament voltage	V_f	$8.0 \pm 5\% V$
Filament current	I_f	26 A
Maximum d.c. anode voltage	$V_{a(max)}$	7.5 kV
Maximum peak cathode current	$i_{k(pk)max}$	6.0 A
Maximum anode dissipation	$P_{a(max)}$	3.0 kW
Maximum operating frequency	f_{max}	40 Mc/s

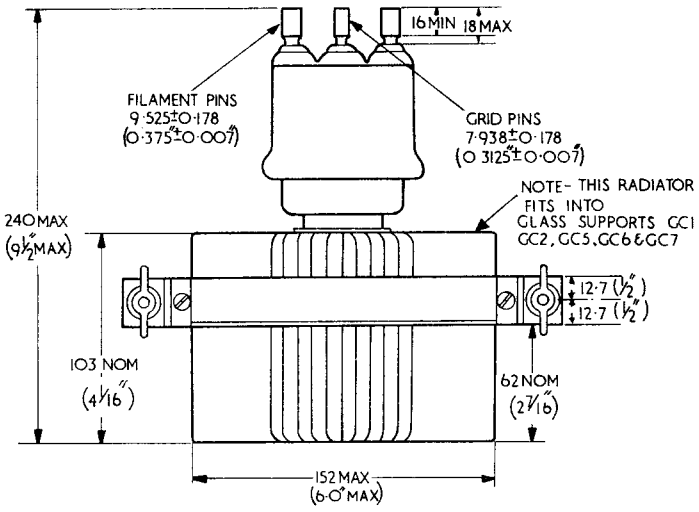
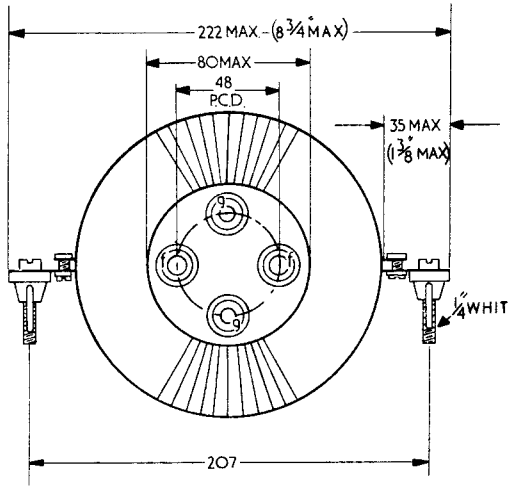
MOUNTING POSITION—Vertical, base upwards

CHARACTERISTICS

Anode voltage	V_a	7 kV
Anode current	I_a	400 mA
Mutual conductance	g_m	6.5 mA/V
Amplification factor	μ	55

ANODE—External

BASE—Special



All dimensions in millimetres unless otherwise shown

6-116 07-90-1