

GENERAL

The 31D12 is an 8½" diagonal rectangular tube with 90° magnetic deflection and low voltage electrostatic focusing. It is suitable for use in industrial monitoring equipment.

RATINGS

Heater voltage	V_h	6.3	V
Heater current	I_h	0.3*	A
Maximum second and fourth anode voltage	$V_{a2,a4(max)}$	15**	kV
Minimum second and fourth anode voltage	$V_{a2,a4(min)}$	8.0	kV
Maximum third anode voltage	$V_{a3(max)}$	±700	V
Maximum first anode voltage	$V_{a1(max)}$	400	V
Maximum heater/cathode voltage, d.c. (heater negative)	$V_{h-k(max)}$	200	V
Maximum peak heater/cathode voltage, d.c. (heater negative)	$V_{h-k(pk)max}$	400†‡	V

* The cathode-ray tube heater should always be connected at the chassis end if used in a series heater chain.

** 15kV is a design centre rating, the absolute rating of 18kV must not be exceeded.

† Absolute rating.

‡ During a warming up period not exceeding one minute.

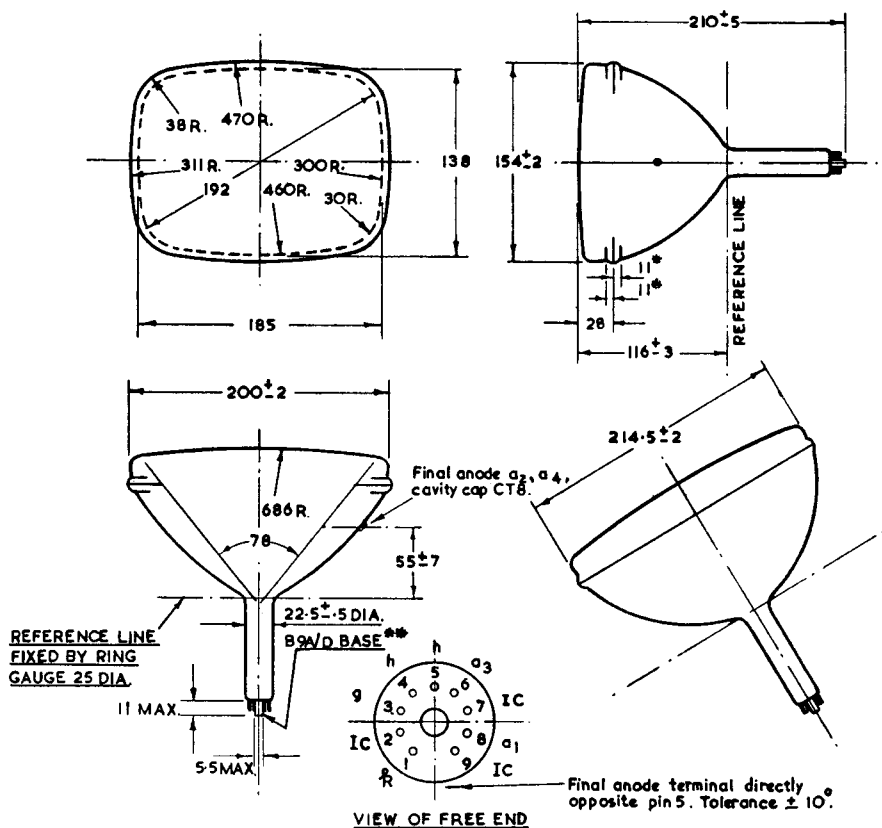
INTER-ELECTRODE CAPACITANCES

Grid/all other electrodes	C_{g-all}	7.0§	pF
Cathode/all other electrodes	C_{k-all}	3.0§	pF
Anode 2 and anode 4/external conductive coating (approx.)	$C_{a2,a4-M}$	400	pF

§ Inter-electrode capacitances with holder capacitance balanced out.

TYPICAL OPERATION

Second and fourth anode voltage	$V_{a2,a4}$	12	kV
First anode voltage	V_{a1}	300	V
Third anode voltage for focus (range)	V_{a3}	±200	V
Grid bias voltage for cut-off of raster	V_g	-30 to -72	V
Average peak to peak modulating voltage for modulation up to 150µA		24	V



All dimensions in millimetres.
Not to be scaled.

Notes

- * During the face sealing operation the glass in this area (total 22 mm) may be disturbed. As the shape of the contour within this area may be either convex or concave the bulb should not be gripped within this region unless special precautions are taken (such as the use of resilient packing material).
- ** The socket for the B9A/D button base should not be rigidly mounted, it should have flexible leads and be allowed to move freely. The design of the socket should be such that the wiring cannot impress lateral strains through the socket contacts on the base.