

V1505

RADIATION COOLED TRIODE

GENERAL

The V.1505 is a Directly Heated Thoriated Filament Triode suitable for operation as a Power Amplifier or Oscillator at frequencies up to 1.5 Mc/s.

RATING

Filament Voltage (volts)	V_f	14
Filament Current (amps)	I_f	6.5
Maximum Anode Voltage (volts)	V_a	3,000
Maximum Filament Emission (amps)	F_{em}	4
Maximum Anode Dissipation (watts)	W_a	275
Mutual Conductance (ma/V)	G_m	• 8
Amplification Factor	μ	• 16
Anode Impedance (ohms)	r_a	• 2,000
Maximum Operating Frequency at Full Rating		1.5 Mc/s
Audio Power Output	P_{out}	800 watts (2 valves)

• Taken at $V_a = 2,000$ volts; $I_a = 150$ mA

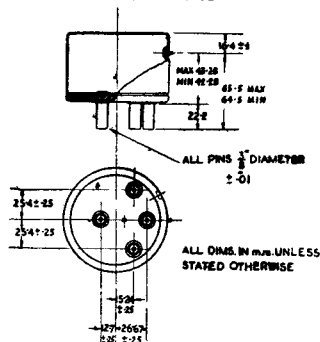
INTER-ELECTRODE CAPACITANCES

Anode/Grid (μpF)	C_{a-g1}	18
Anode/Filament (μpF)	C_{a-f}	9
Grid/Filament (μpF)	C_{g1-f}	14

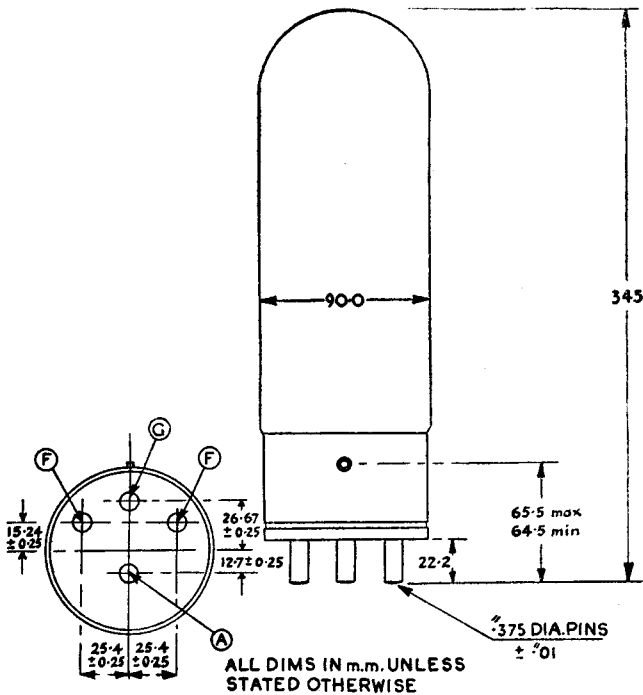
DIMENSIONS

Maximum Overall Length (inches)	12.5
Maximum Overall Diameter (inches)	3.54

BASE P1410
VISOS FILAMENT CAP



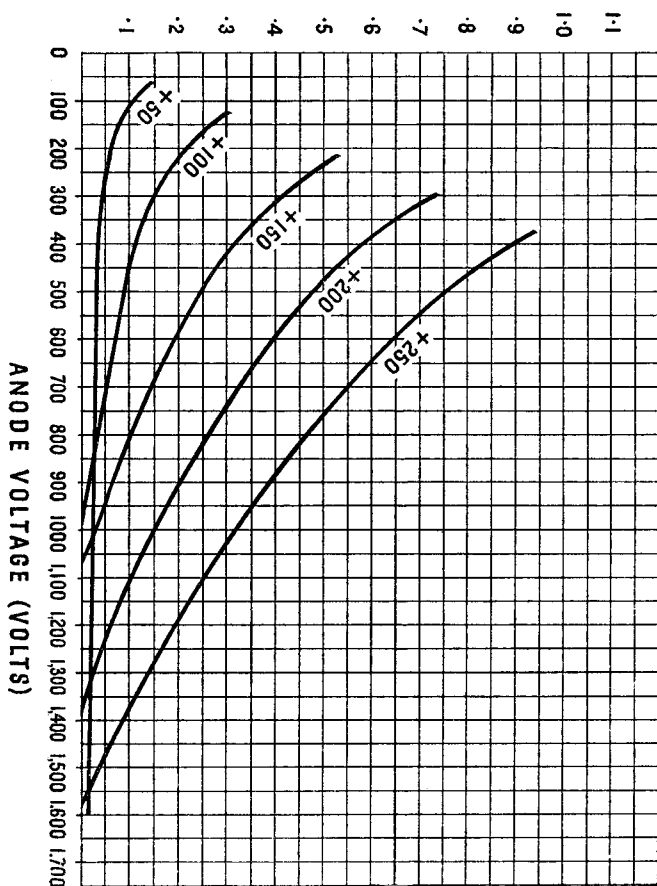
V1505
RADIATION COOLED TRIODE



V1505

RADIATION COOLED TRIODE

GRID CURRENT (AMPS)





V1505
RADIATION COOLED TRIODE

