

## RF POWER TRIODE

<b>QUICK REFERENCE DATA</b>									
$\lambda$ (m)	Freq. (MHz)	C telegr.		C osc.		B teleph.		C <sub>a</sub> mod.	
		V <sub>a</sub> (V)	W <sub>o</sub> (W)	V <sub>a</sub> (V)	W <sub>o</sub> (W)	V <sub>a</sub> (V)	W <sub>o</sub> (W)	V <sub>a</sub> (V)	W <sub>o</sub> (W)
4	75	2500	390			2500	65	2000	204
		2000	295			2000	64	1500	153
		1500	210			1500	59	1000	95
		1000	126						
2	150			2500	376				
				2000	282				
1.5	200			2000	198				

**HEATING:** direct; filament thoriated tungsten

Filament voltage  $V_f = 6.3$  V

Filament current  $I_f = 5.4$  A

### CAPACITANCES

Anode to all other elements except grid  $C_a = 0.1$  pF

Grid to all other elements except anode  $C_g = 4.3$  pF

Anode to grid  $C_{ag} = 5.2$  pF

### TYPICAL CHARACTERISTICS

Amplification factor  $\mu = 25$

Mutual conductance  $S (I_a = 44 \text{ mA}) = 2.8$  mA/V

**COOLING:** radiation/low-velocity air flow

It is necessary to direct a low-velocity air flow to the bottom and the top seal if the tube is used at or near the limiting values at frequencies above 50 MHz.



## OPERATING CONDITIONS RF CLASS C TELEGRAPHY

Wavelength	$\lambda$	=	4	4	4	4	m
Anode voltage	$V_a$	=	2500	2000	1500	1000	V
Grid voltage	$V_g$	=	-200	-150	-110	-80	V
Anode current	$I_a$	=	205	205	205	205	mA
Grid current	$I_g$	=	40	40	40	40	mA
Peak grid AC voltage	$V_{gp}$	=	390	340	300	260	V
Grid input power	$W_{ig}$	=	14	13	11	10	W
Anode input power	$W_{ia}$	=	512	410	308	205	W
Anode dissipation	$W_a$	=	122	115	98	79	W
Output power	$W_o$	=	390	295	210	126	W
Efficiency	$\eta$	=	76	72	68	61.5	%

## OPERATING CONDITIONS RF CLASS B TELEPHONY

Wavelength	$\lambda$	=	4	4	4	m
Anode voltage	$V_a$	=	2500	2000	1500	V
Grid voltage	$V_g$	=	-87	-67	-45	V
Anode current	$I_a$	=	77	97	120	mA
Peak grid AC voltage	$V_{gp}$	=	100	100	100	V
Anode input power	$W_{ia}$	=	193	194	180	W
Anode dissipation	$W_a$	=	128	130	121	W
Output power	$W_o$	=	65	64	59	W
Efficiency	$\eta$	=	34	33	33	%
Modulation depth	$m$	=	100	100	100	%
Grid current	$I_g$	=	20	28	52	mA
Grid input power	$W_{ig}$	=	3.6	5.1	9.4	W

**OPERATING CONDITIONS RF CLASS C ANODE MODULATION; two tubes**

Wavelength	$\lambda$	=	4	4	4	m
Anode voltage	$V_a$	=	2000	1500	1000	V
Grid voltage	$V_g$	=	-225	-180	-130	V
Anode current	$I_a$	=	255	255	255	mA
Grid current	$I_g$	=	80	80	80	mA
Peak grid AC voltage	$V_{gp}$	=	415	370	320	V
Grid input power	$W_{ig}$	=	30	27	23	W
Anode input power	$W_{ia}$	=	510	382	255	W
Anode dissipation	$W_a$	=	102	76	65	W
Output power	$W_o$	=	408	306	190	W
Efficiency	$\eta$	=	80	80	74.5	%
<hr style="border-top: 1px dashed black;"/>						
Modulation depth	$m$	=	100	100	100	%
Modulation power	$W_{mod}$	=	255	191	126	W

**OPERATING CONDITIONS AS RF CLASS C OSCILLATOR; two tubes**

Wavelength	$\lambda$	=	2	2	1.5	m
Anode voltage	$V_a$	=	2500	2000	2000	V
Anode current	$I_a$	=	410	410	346	mA
Grid current	$I_g$	=	80	80	80	mA
Grid resistor	$R_g$	=	2500	1875	1875	$\Omega$
Anode input power	$W_{ia}$	=	1025	820	692	W
Anode dissipation	$W_a$	=	245	230	270	W
Grid input power	$W_{ig}$	=	28	26	26	W
Output power	$W_o$	=	752	564	396	W
Efficiency	$\eta$	=	73	69	57	%

**OPERATING CONDITIONS AS RF CLASS C OSCILLATOR** for high frequency heating and diathermy generators

A. With anode voltage from single-phase full-wave rectifier without filter

Wavelength	$\lambda$	=	7.3	m
Anode voltage	$V_a$	=	2000	V <sup>1)</sup>
Anode current	$I_a$	=	170	mA
Grid current	$I_g$	=	34	mA
Grid resistor	$R_g$	=	3750	$\Omega$
Anode input power	$W_{ia}$	=	420	W
Anode dissipation	$W_a$	=	120	W
Grid input power	$W_{ig}$	=	10	W
Output power	$W_o$	=	290	W
Efficiency	$\eta$	=	69	%

B. With anode and grid alternating voltage. Phase-shift of  $180^\circ$  between  $V_a$  and  $V_g$

Wavelength	$\lambda$	=	7.3	m
Anode voltage	$V_a$	=	2500	$V_{RMS}$
Anode current	$I_a$	=	90	mA
Grid current	$I_g$	=	20	mA
Grid resistor	$R_g$	=	1700	$\Omega$
Grid voltage	$V_g$	=	85	$V_{RMS}$
Anode input power	$W_{ia}$	=	255	W
Anode dissipation	$W_a$	=	85	W
Output power	$W_o$	=	170	W
Efficiency	$\eta$	=	67	%

<sup>1)</sup> Mean value

OPERATING CONDITIONS RF CLASS C TELEGRAPHY

grounded grid, two tubes

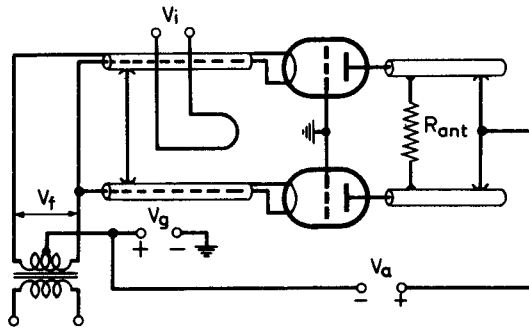


Fig. 2 Grounded-grid configuration.

Wavelength	$\lambda$	=	3	3	3	3 m
Anode voltage	$V_a$	=	2500	2000	1500	1000 V
Grid voltage	$V_g$	=	-200	-150	-110	-80 V
Anode current	$I_a$	=	410	410	410	410 mA
Grid current	$I_g$	=	80	80	80	80 mA
Peak grid AC voltage	$V_{gp}$	=	390	340	300	260 V
Grid input power	$W_{ig}$	=	158	136	118	100 W
Anode input power	$W_{ia}$	=	1025	820	615	410 W
Anode dissipation	$W_a$	=	245	230	195	158 W
Output power	$W_o$	=	780+130	590+110	420+96	252+80 W <sup>1)</sup>
Efficiency	$\eta$	=	76	72	68	61.5 % <sup>2)</sup>

1) Power transferred from driving stage included

2) Pure tube efficiency

## AF CLASS B AMPLIFIER AND MODULATOR

## LIMITING VALUES (Absolute limits)

Anode voltage	$V_a$	=	max.	2500	V
Anode dissipation	$W_a$	=	max.	135	W
Grid dissipation	$W_g$	=	max.	16	W
Cathode current	$I_k$	=	max.	250	mA
Peak cathode current	$I_{kp}$	=	max.	1.6	A

## OPERATING CONDITIONS, two tubes

Anode voltage	$V_a$	=	2500	2000	V
Grid voltage	$V_g$	=	-86	-65	V
Load resistance	$R_{aa\sim}$	=	18.2	12.0	k $\Omega$
Peak grid to grid voltage	$V_{ggp}$	=	0 412	0 394	V
Anode current	$I_a$	=	2x30 2x178	2x30 2x208	mA
Grid current	$I_g$	=	0 2x42	0 2x42	mA
Grid input power	$W_{ig}$	=	0 2x7.8	0 2x7.3	W
Anode input power	$W_{ia}$	=	2x75 2x445	2x60 2x416	W
Anode dissipation	$W_a$	=	2x75 2x95	2x60 2x101	W
Output power	$W_o$	=	0 700	0 630	W
Total harmonic distortion	$d_{tot}$	=	- 5.0	- 3.7	%
Efficiency	$\eta$	=	- 78.5	- 76	%

Anode voltage	$V_a$	=	1500	1000	V
Grid voltage	$V_g$	=	-46	-23	V
Load resistance	$R_{aa\sim}$	=	8.5	5.0	k $\Omega$
Peak grid to grid voltage	$V_{ggp}$	=	0 340	0 295	V
Anode current	$I_a$	=	2x30 2x210	2x30 2x210	mA
Grid current	$I_g$	=	0 2x40	0 2x40	mA
Grid input power	$W_{ig}$	=	0 2x6.1	0 2x5.4	W
Anode input power	$W_{ia}$	=	2x45 2x315	2x30 2x210	W
Anode dissipation	$W_a$	=	2x45 2x90	2x30 2x73	W
Output power	$W_o$	=	0 450	0 274	W
Total harmonic distortion	$d_{tot}$	=	- 2.9	- 2.2	%
Efficiency	$\eta$	=	- 71.5	- 65	%

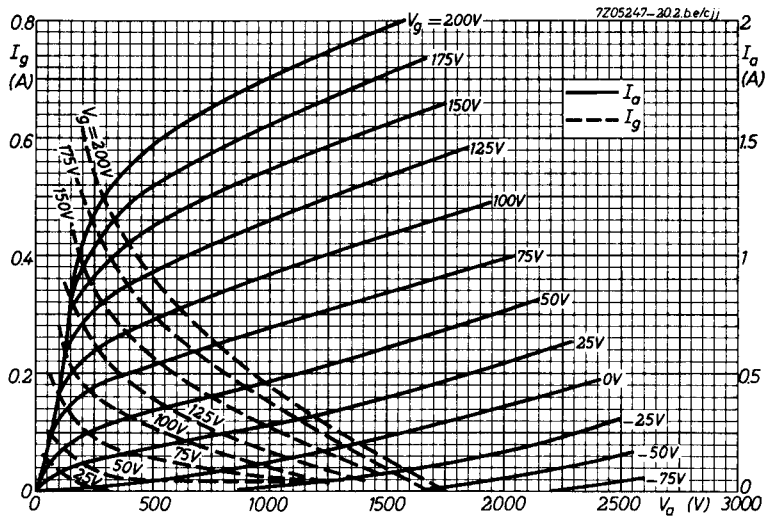


Fig. 3  
 $I_a/I_g$  characteristics.

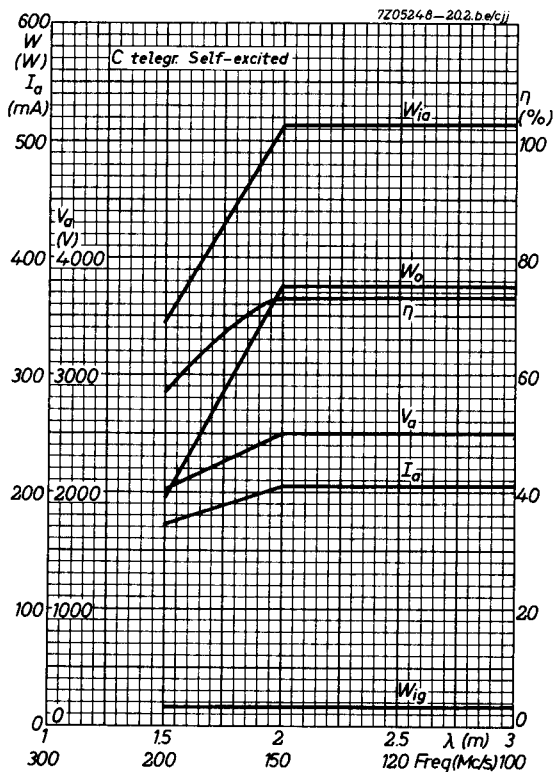


Fig. 4  
Characteristics at frequencies above 150 MHz.



# PHILIPS

Data handbook



Electronic  
components  
and materials

**TB2.5/300**

<b>page</b>	<b>sheet</b>	<b>date</b>
1	29	1988.02
2	30	1988.02
3	31	1988.02
4	32	1988.02
5	33	1988.02
6	34	1988.02
7	35	1988.02
8	36	1988.02
9	FP	2000.09.14