

RF POWER TRIODE

- Air cooled

QUICK REFERENCE DATA

Industrial RF oscillator, class-C

freq. MHz	three-phase rectifier			
	continuous		intermittent	
	V_a kV	W_o kW	V_a kV	W_o kW
50	7	4,85		
	6	4,1	6	5,9

HEATING: direct; thoriated tungsten filament

Filament voltage $V_f = 6,3$ VFilament current $I_f = 65$ A

The filament is designed to accept temporary fluctuations of +5% and -10%

CAPACITANCES

Anode to all other elements except grid $C_a < 0,5$ pFGrid to all other elements except anode $C_g = 13$ pFAnode to grid $C_{ag} = 7,5$ pF

TYPICAL CHARACTERISTICS

Anode voltage $V_a = 6$ kVAnode current $I_a = 0,24$ AMutual conductance $S = 7$ mA/VAmplification factor $\mu = 23$

TEMPERATURE LIMITS (Absolute limits)

Temperature of all seals max. 220 °C

Temperature of external parts of anode max. 270 °C

Table 1 Cooling

Continuous service

W_a (kW)	q_{min} (m ³ /min)	ΔP (Pa)*
1.3	1.6	160
1.7	2.1	250

For intermittent service see figure page 113

At higher altitudes and/or temperatures a corresponding higher amount of air should be applied

RECOMMENDED COOLING DEVICE

- (1) = metal housing (see page 3)
- (2) = glass cylinder
- (3) = socket 2422 511 05001
- (4) = ground plate (see page 3)

Dimensions of the glass cylinder:

- Height : 118 mm
- Outside diameter : 150 mm
- Inside diameter : 144 mm

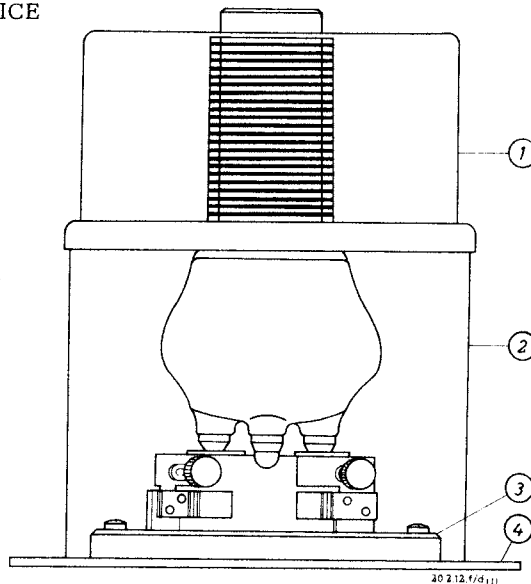


Fig. 1 Recommended cooling device.

The cooling air should preferably be supplied through the space under the ground plate (4). This ground plate should have holes of sufficient cross section to pass the required air flow.

The housing (1) should be connected to the anode connector. At frequencies above 4 MHz both grid terminals should be connected in parallel. At the highest frequencies care should be taken to distribute the RF current equally between both grid terminals to avoid excessive grid seal temperatures.

7Z2 8655

* 1 Pa \approx 0,1 mm H₂O.

RECOMMENDED COOLING DEVICE (continued)

Dimensions in mm

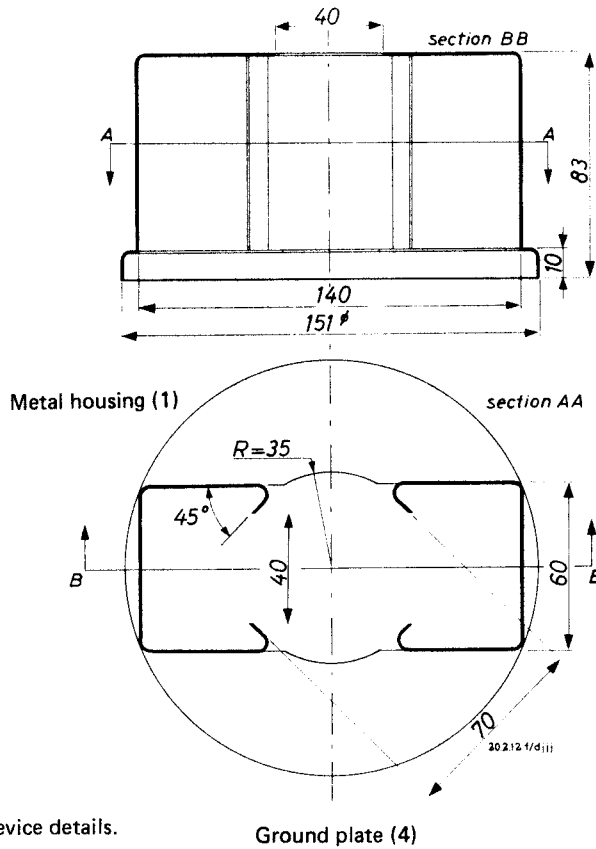
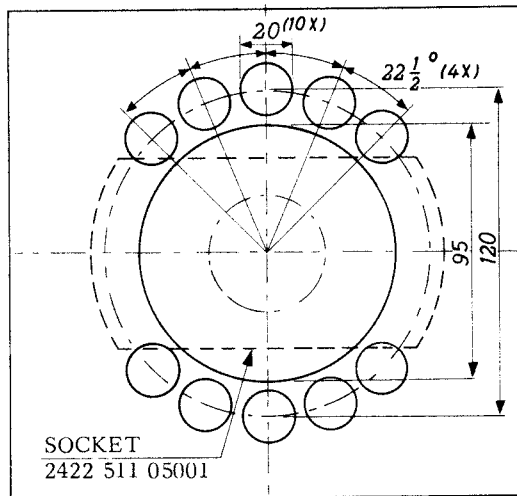
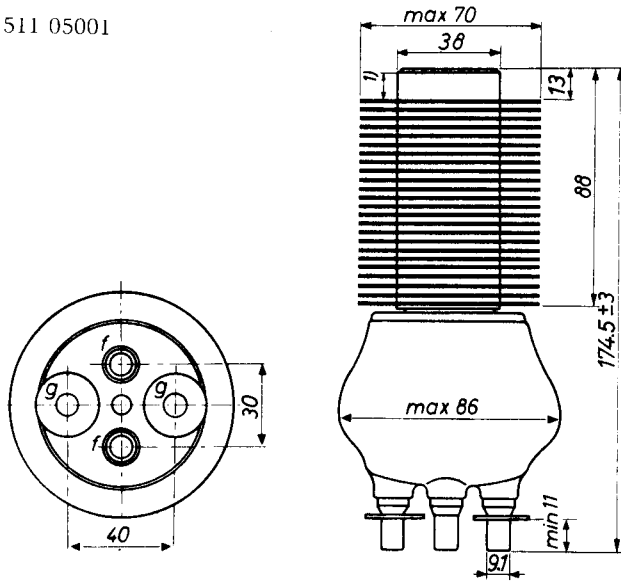


Fig. 2 Cooling device details.



MECHANICAL DATA (dimensions in mm)

Socket: 2422 511 05001



Mounting position: vertical with anode up or down

Fig. 3 Mechanical outline.

1) Area for anode connector

RF CLASS C OSCILLATOR FOR INDUSTRIAL USE with anode voltage from three-phase rectifier without filter

LIMITING VALUES (Absolute limits) continuous service

Frequency	f	up to	50 MHz
Anode voltage	V_a	= max.	8 kV
Anode current	I_a	= max.	1 A
Anode input power	W_{ia}	= max.	7 kW
Anode dissipation	W_a	= max.	1.7 kW
Negative grid voltage	$-V_g$	= max.	1250 V
Grid current, loaded	I_g	= max.	0.4 A
Grid current, unloaded	I_g	= max.	0.5 A
Grid resistor	R_g	= max.	10 k Ω

OPERATING CONDITIONS, continuous service

Frequency	f	=	50	50 MHz
Transformer voltage	V_{tr}	=	6.0	5.1 kV _{RMS}
Anode voltage	V_a	=	7	6 kV
Anode current, loaded	I_a	=	0.9	0.9 A
Anode current, unloaded	I_a	=	0.2	0.2 A ¹⁾
Grid current, loaded	I_g	=	0.25	0.28 A
Grid current, unloaded	I_g	=	0.30	0.35 A ¹⁾
Grid resistor	R_g	=	2.5	2 k Ω
Load resistance	$R_{a\sim}$	=	3.85	3.3 k Ω
Feedback ratio under loaded conditions	$V_{g\sim}/V_{a\sim}$	=	15	16 %
Anode input power	W_{ia}	=	6.3	5.4 kW
Anode dissipation	W_a	=	1.45	1.3 kW
Output power	W_o	=	4.85	4.1 kW
Efficiency	η	=	77	76 %
Output power in the load	W_l	=	4.0	3.3 kW ²⁾

¹⁾ In a typical circuit

²⁾ Useful power in the load measured in a circuit having an efficiency of 85%.

RF CLASS C OSCILLATOR FOR INDUSTRIAL USE with anode voltage from three-phase rectifier without filter

LIMITING VALUES (Absolute limits) intermittent service

Frequency	f	up to	50 MHz
Anode voltage	V_a	= max.	8 kV
Anode current	I_a	= max.	1.5 A
Anode input power	W_{ia}	= max.	9 kW
Anode dissipation	W_a	= max.	2.1 kW ¹⁾
Negative grid voltage	$-V_g$	= max.	1250 V
Grid current, loaded	I_g	= max.	0.4 A
Grid current, unloaded	I_g	= max.	0.5 A
Grid resistor	R_g	= max.	10 k Ω

OPERATING CONDITIONS, intermittent service

Frequency	f	=	50 MHz
Transformer voltage	V_{tr}	=	5.1 kV _{RMS}
Anode voltage	V_a	=	6 kV
Anode current, loaded	I_a	=	1.33 A
Anode current, unloaded	I_a	=	0.33 A ²⁾
Grid current, loaded	I_g	=	0.38 A
Grid current, unloaded	I_g	=	0.48 A ²⁾
Grid resistor	R_g	=	1450 Ω
Load resistance	$R_{a\sim}$	=	2200 Ω
Feedback ratio under loaded conditions	$V_{g\sim}/V_{a\sim}$	=	17 %
Anode input power	W_{ia}	=	8 kW
Anode dissipation	W_a	=	2.1 kW ¹⁾
Output power	W_o	=	5.9 kW
Efficiency	η	=	74 %
Output power in the load	W_ℓ	=	4.75 kW ³⁾

¹⁾ See Fig. 4

²⁾ In a typical circuit

³⁾ Useful power in the load measured in a circuit having an efficiency of 85%.

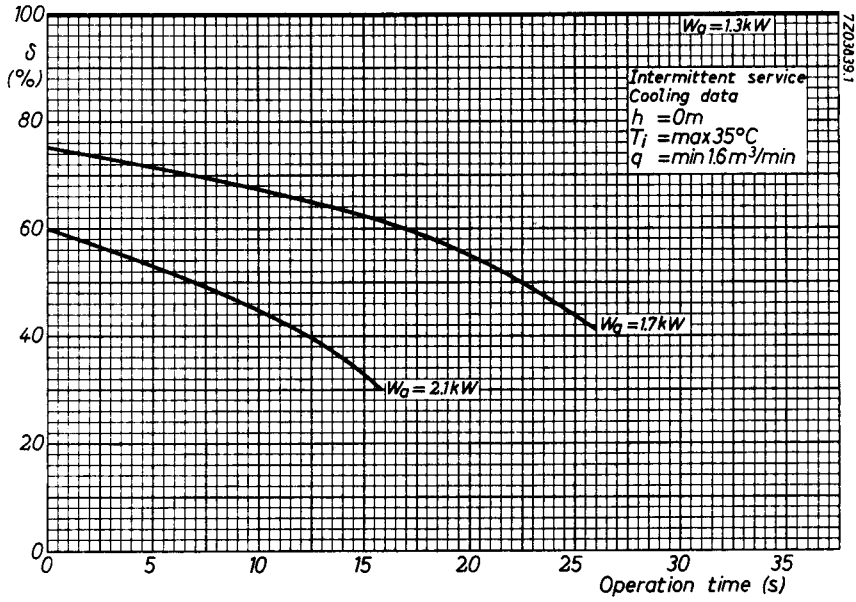


Fig. 4 Intermittent service. Limits of anode dissipation and cooling.

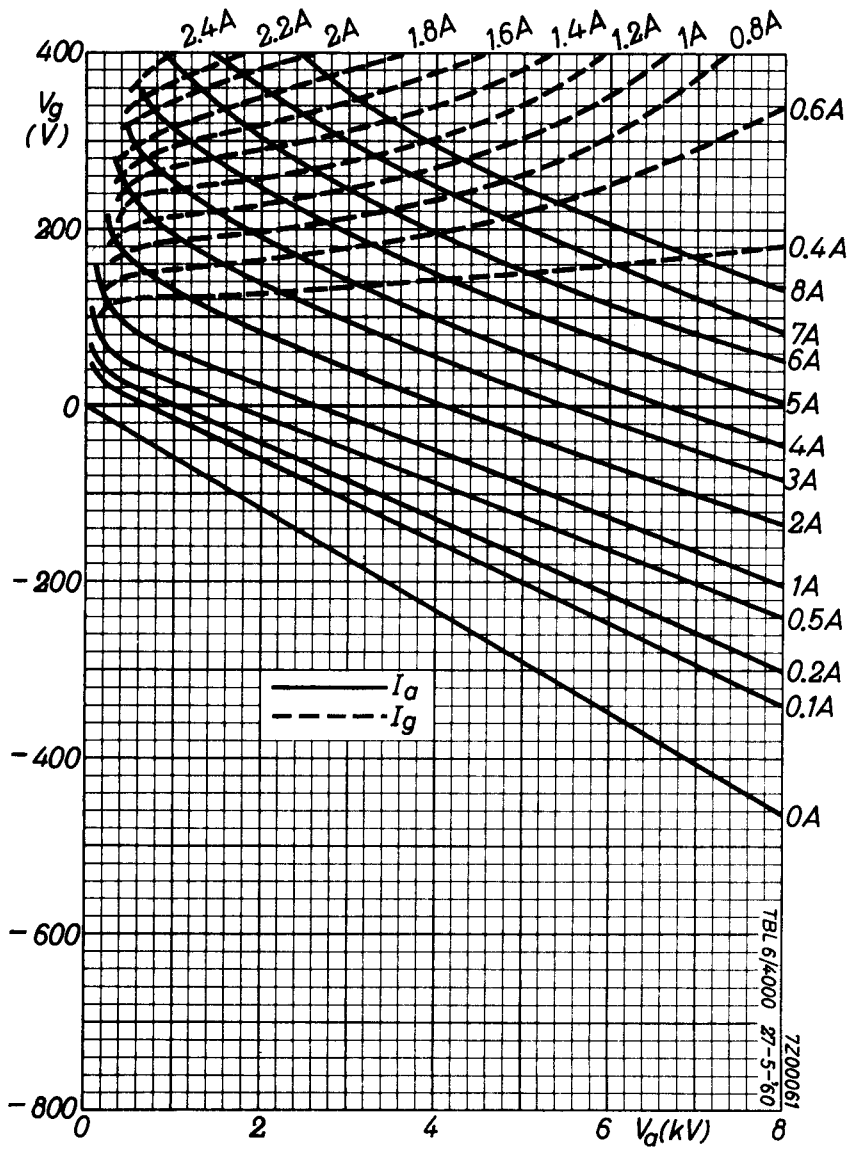


Fig. 5 Constant current characteristics.

PHILIPS

Data handbook



Electronic
components
and materials

TBL6/4000

page	sheet	date
1	111	1988.02
2	112	1988.02
3	113	1988.02
4	114	1988.02
5	115	1988.02
6	116	1988.02
7	117	1988.02
8	118	1988.02
9	FP	2000.09.22