

—Standard Valves—

4274-A
Valve

4274-A VALVE

FULL WAVE THERMIONIC HIGH VACUUM RECTIFIER.

SPECIFICATION.

Cathode.

Oxide coated filament.
Constant voltage type.

Base.

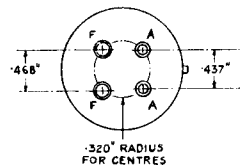
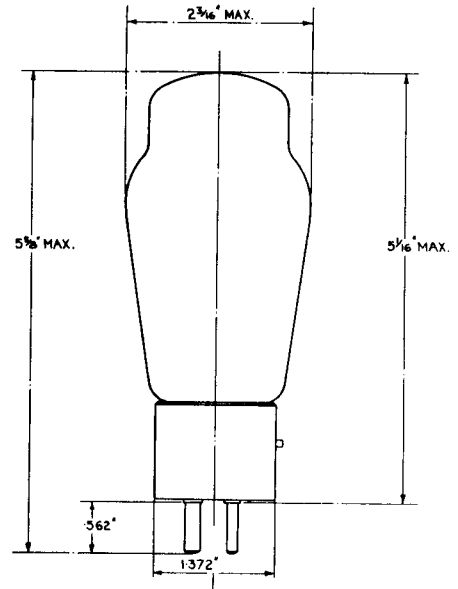
American medium 4-pin bayonet.

Dimensions.

Overall length $5\frac{5}{8}$ " (14.3 cms.)
Overall diameter $2\frac{3}{16}$ " (5.5 cms.)
Net weight 0.12 lbs. (55 gms.)

Constants.

Filament voltage 5 volts
Nominal filament current 2 amps.



V.4274-A.1
Nov. 1937

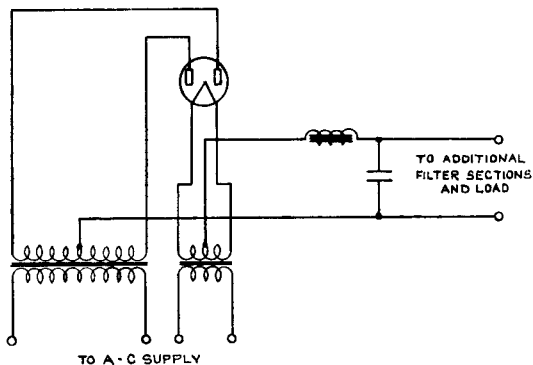
—Standard Valves—

TYPICAL OPERATING CONDITIONS.

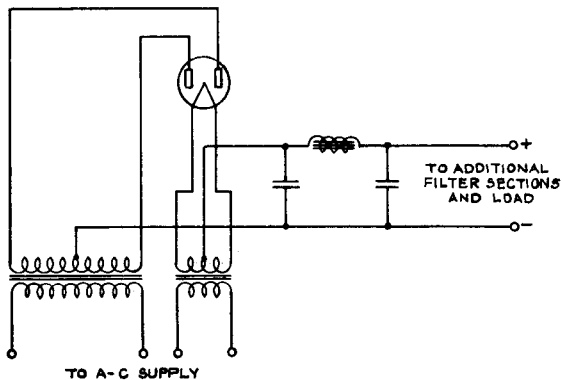
| Input Filter | R.M.S. A.C. voltage per anode | Total rectified current—mA. |
|---------------------|----------------------------------|--------------------------------|
| Choke—circuit A | 550 | 160 |
| | *550 | 200 |
| | *660 | 160 |
| Condenser—Circuit B | 450 | 140 |
| | *450 | †150 |

* Maximum operating conditions.

† 4 u/F. max. input filter capacity.



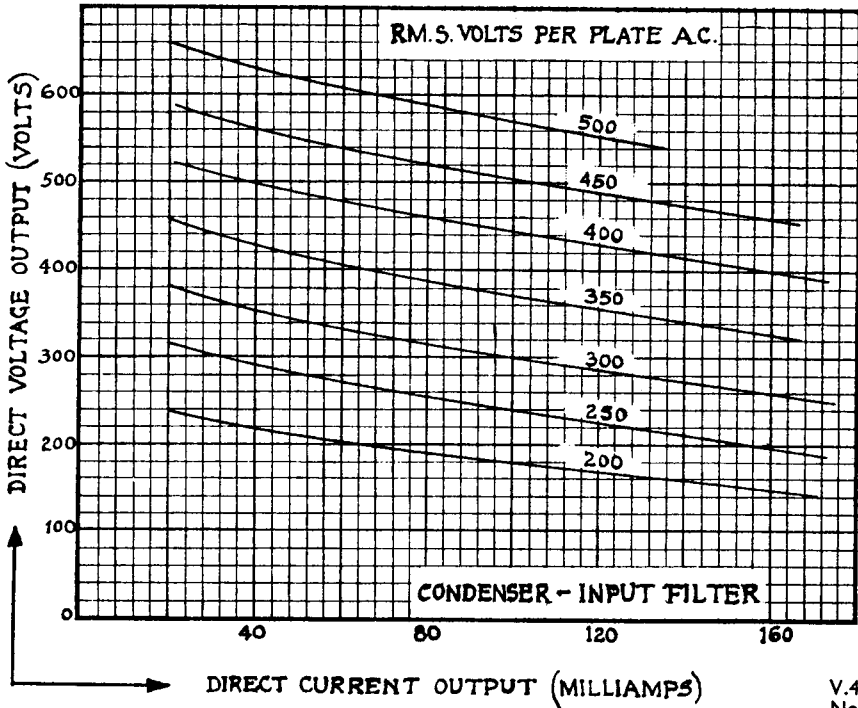
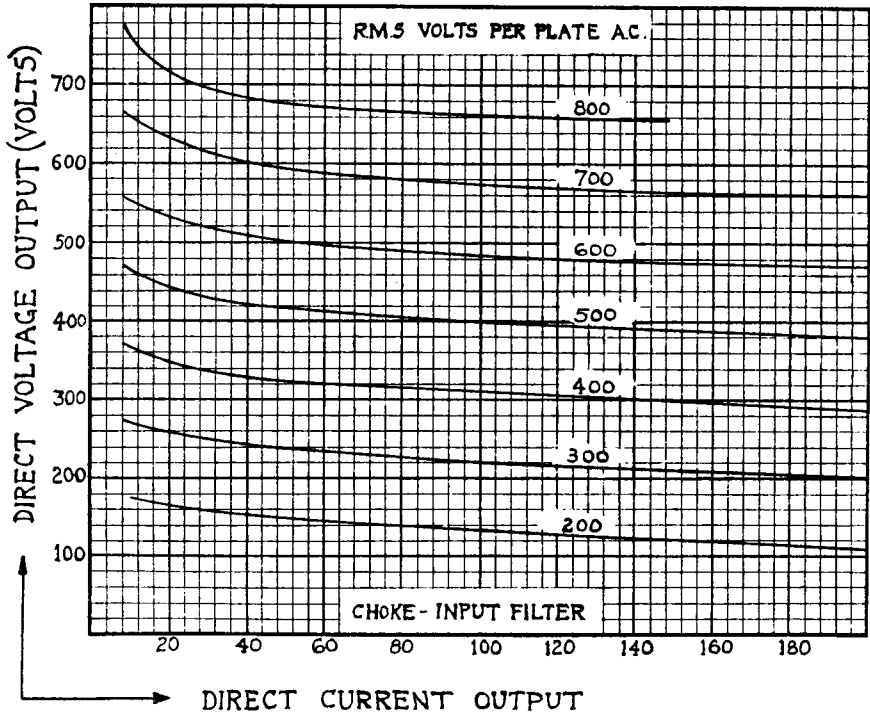
CHOKE INPUT FILTER
CIRCUIT A



CONDENSER INPUT FILTER
CIRCUIT B

—Standard Valves—

4274-A
Valve



V.4274-A.2
Nov. 1937

PRINTED IN
ENGLAND