

QUICK REFERENCE DATA

59cm (23in) direct viewing television tube with metal backed screen and reinforced envelope. A separate safety screen is not required. This tube is fitted with a ring trap base but in all other respects is electrically identical to the A59-11W. Suitable for use in receivers with push-through presentation.

Deflection angle	110	deg
Focusing		Electrostatic
Light transmission (approx.)	45	%
Maximum overall length	367	mm

This data should be read in conjunction with
GENERAL OPERATIONAL RECOMMENDATIONS - CATHODE RAY TUBES

HEATER

Suitable for series or parallel operation

V_h	6.3	V
I_h	300	mA

The limits of heater voltage and current are contained in 'General Operational Recommendations - Cathode Ray Tubes'.

Note - (applies to series operation only). The surge heater voltage must not exceed 9.5V r.m.s. when the supply is switched on. A current limiting device may be necessary in the circuit, to ensure that this voltage is not exceeded.

OPERATING CONDITIONS

V_{a2+a4}	20	20	kV
V_{a3} (focus electrode control range)	0 to 400	0 to 400	V
V_{a1}	400	500	V
V_g for visual extinction of focused raster	-40 to -77	-50 to -93	V
* V_k for visual extinction of focused raster	36 to 66	45 to 80	V

*For cathode modulation, all voltages are measured with respect to the grid.

SCREEN (Metal backed)

Fluorescent colour		White
Light transmission (approx.)	45	%
Useful screen area		See page 6

FOCUSING (Electrostatic)

The range of focus voltages shown in 'OPERATING CONDITIONS' results in optimum overall focus at a beam current of 250 μ A. In general, acceptable resolution will be obtained with a fixed focus voltage.

DEFLECTION (Magnetic)

Diagonal deflection angle	110	deg
Horizontal deflection angle	99	deg
Vertical deflection angle	82	deg

The deflection coils should be designed to provide a pull-back of 4.0mm on a nominal tube.

CAPACITANCES

C_{g-all}	7.0	pF
C_{k-all}	5.0	pF
$C_{a2+a4-M}$	1700 to 2500	pF
$C_{a2+a4-B}$	450	pF

EXTERNAL CONDUCTIVE COATING

This tube has an external conductive coating, M, which must be connected to chassis, and the capacitance of this coating to the final anode is used to provide smoothing for the e.h.t. supply. The electrical connection to this coating must be made within the area specified on the tube outline drawing.

RING TRAP

For flashover protection to the receiver, parallel spark gaps are included for all the pins in the base of this tube, and the common connection is made to pin 5. These spark gaps are intended as part of a system for full flashover protection. A direct connection must always be made from pin 5 to the external conductive coating. Any electrode supplied directly from a high energy source (such as the H.T. line) should be provided with a series resistor.

RASTER CENTRING

See note under this heading in 'General Operational Recommendations - Cathode Ray Tubes'.

Centring magnet field intensity	0 to 800	A/m
Maximum distance of centre of centring field from reference line	57	mm

Adjustment of the centring magnet should not be such that a general reduction in brightness of the raster occurs.

REFERENCE LINE GAUGE

J. E. D. E. C. 126. For details see 'General Operational Recommendations - Cathode Ray Tubes'.

MOUNTING POSITION

Any. The tube socket should not be rigidly mounted but should have flexible leads and be allowed to move freely. The bottom circumference of the base shell will fall within a circle of 40mm diameter which is centred upon the perpendicular from the centre of the face.

This tube is fitted with a pin protector in order to avoid damage to the glass base due to bending of the base pins whilst handling the tube.

It is advisable to keep this pin protector on the base until it can be replaced by the socket after installation of the tube in any equipment.

RATINGS (DESIGN CENTRE SYSTEM)

V_{a2+a4} max. (at $I_{a2+a4}=0$) (see note 1)	20	kV
V_{a2+a4} min.	13	kV
$+V_{a3}$ max.	1.0	kV
$-V_{a3}$ max.	500	V
V_{a1} max.	700	V
V_{a1} min.	350	V
$-v_g$ max. (see note 2)	400	V
$-V_g$ max. (see note 3)	150	V
$\pm I_{a3}$ max.	25	μA
$\pm I_{a1}$ max.	5	μA
V_{h-k} (see note 4)		
Cathode positive		
d.c. max.	250	V
pk max.	300	V
Cathode negative		
d.c. max.	135	V
pk max.	180	V
R_{h-k} max.	1.0	M Ω
Z_{k-e} max. (f = 50Hz)	100	k Ω
R_{g-k} max.	1.5	M Ω
Z_{g-k} max. (f = 50Hz)	500	k Ω

NOTES

1. Adequate precautions should be taken to ensure that the receiver is protected from damage which may be caused by a possible high voltage flash-over within the cathode ray tube.
2. Maximum pulse duration 22% of one cycle with a maximum of 1.5ms.
3. The d.c. value of bias must not be such as to allow the grid to become positive with respect to the cathode, except during the period immediately after switching the receiver on or off when it may be allowed to rise to +2V.

It is advisable to limit the positive excursion of the video signal to +5V(pk) max. This may be achieved automatically by the series connection of a 10k Ω resistor.

4. During an equipment warm-up period not exceeding 15 seconds $v_{h-k}(pk)$ max. (cathode positive) is allowed to rise to 410V. Between 15 and 45 seconds after switching on, a decrease in $v_{h-k}(pk)$ max. (cathode positive) proportional with time from 410V to 250V is permissible.
5. The metal band (B) should be connected directly to the chassis in an a.c. receiver operating from an isolating transformer, or via a suitable leakage path in an a.c./d.c. receiver, for example 2.0M Ω .

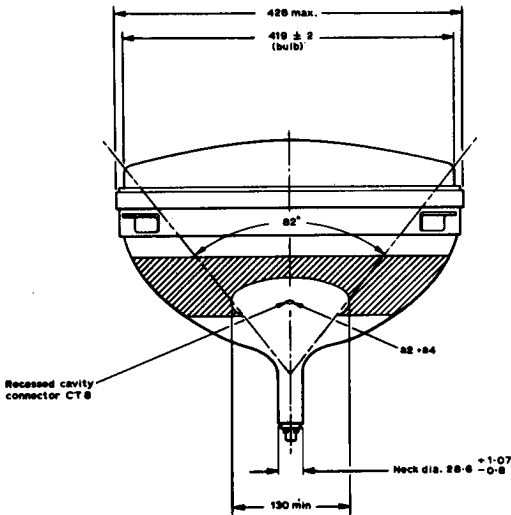
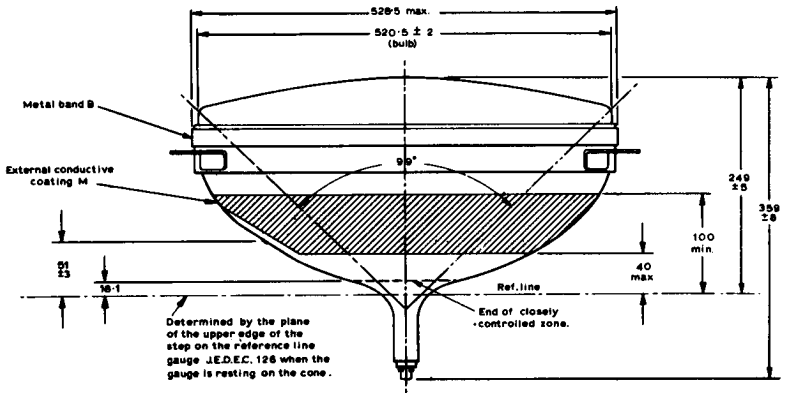
The mounting lugs will be in electrical contact with the metal band.

WARNING

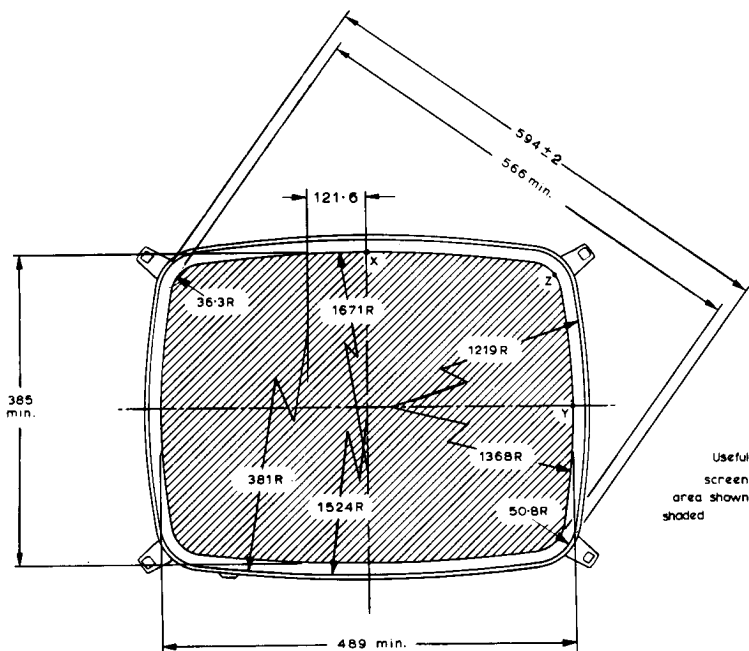
X-ray shielding is advisable to give protection against possible danger of personal injury arising from prolonged exposure at close range to this tube when operated above 20kV.

WEIGHT

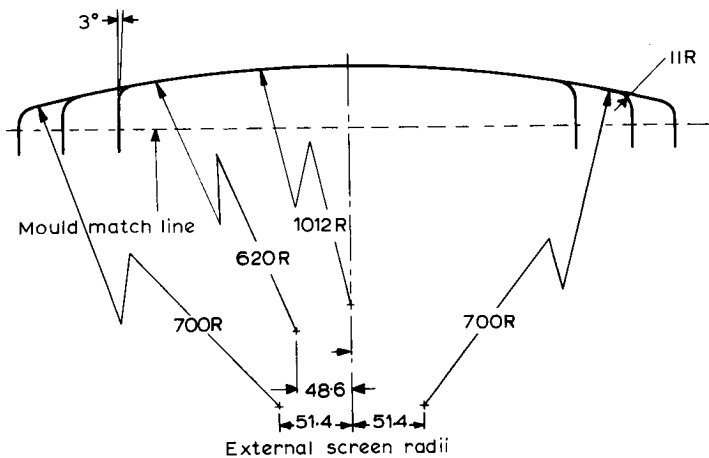
Tube alone (approx.)	13	kg
----------------------	----	----

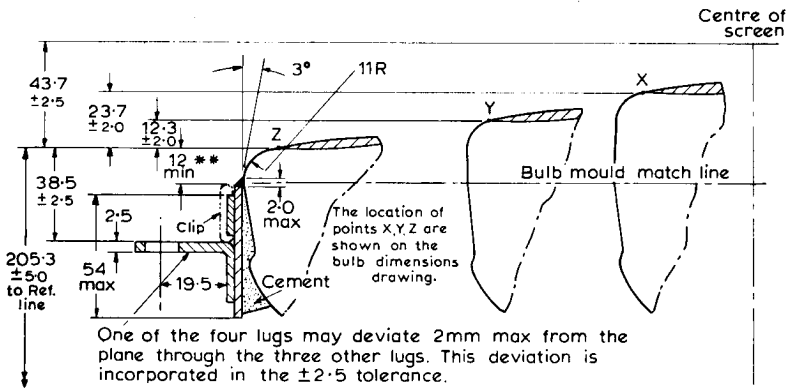
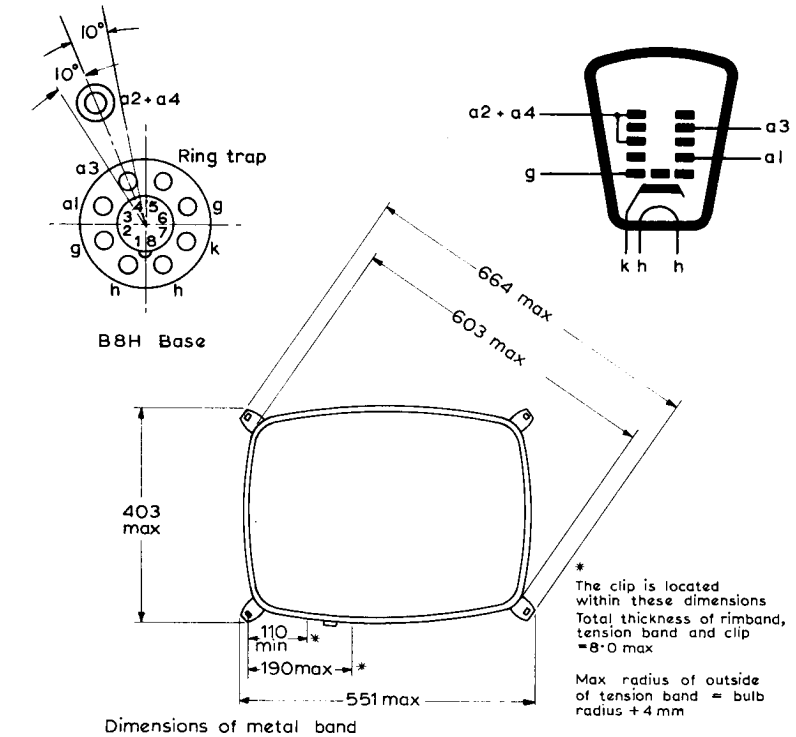


All dimensions in mm.



Bulb dimensions



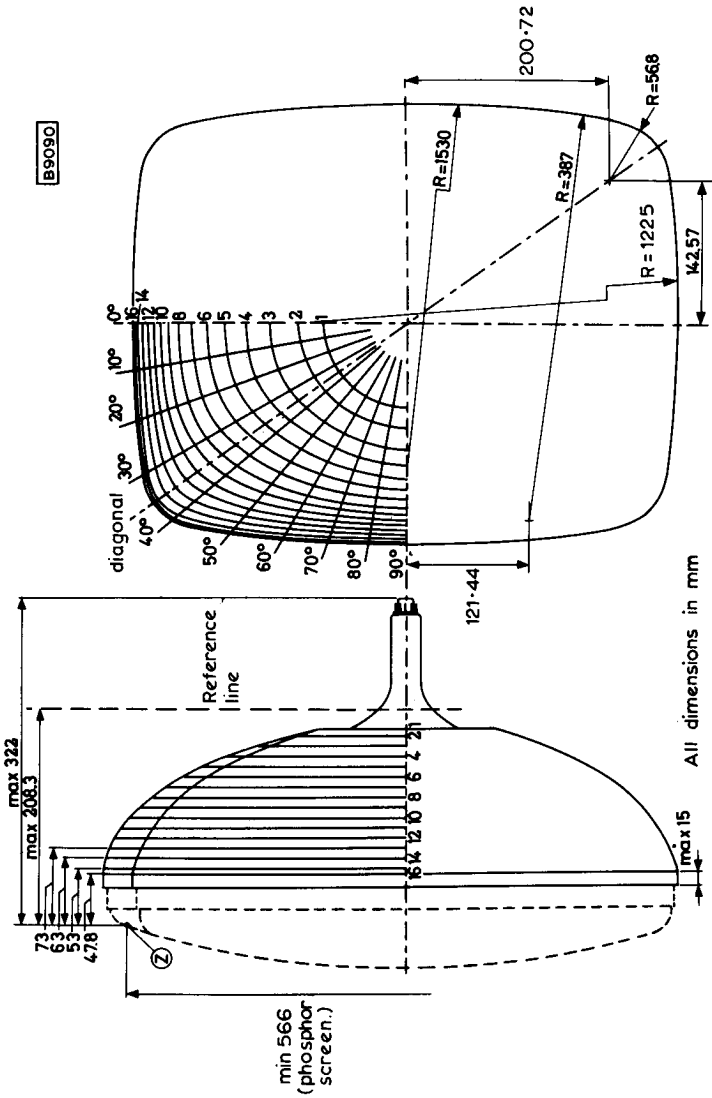


** Distance from point Z to any metal parts

All dimensions in mm



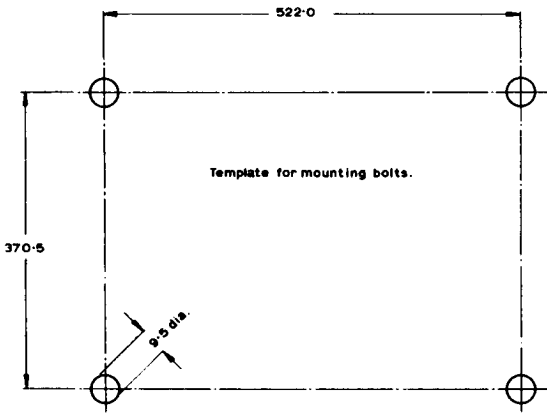
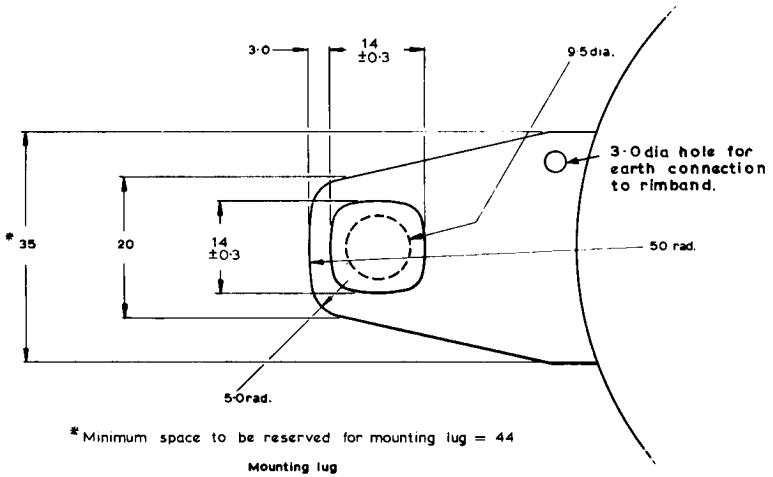
MAXIMUM CONE CONTOURS



DIMENSIONS FOR MAXIMUM CONE CONTOUR DRAWING (Page 8)

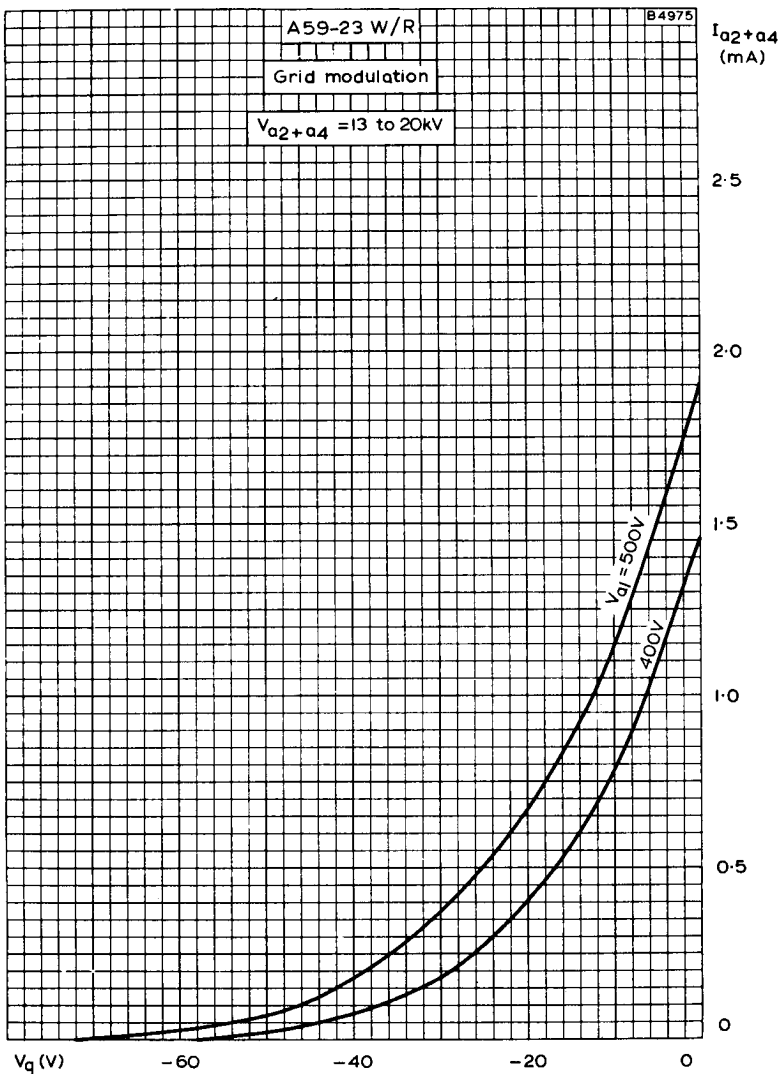
Section	Nominal distance from point "Z" axis	Distance from centre (max.)											Short axis	
		0°	10°	20°	30°	35°	35° 23'	40°	50°	60°	70°	80°		90°
1	190	77.5	77.5	77.5	77.5	77.5	77.5	77.5	77.5	77.5	77.5	77.5	77.5	77.5
2	183	101.2	101.2	101.2	101.2	101.2	101.2	101.2	101.2	101.2	101.2	101.2	101.2	101.2
3	173	130.3	131.0	131.1	129.6	127.9	126.3	123.5	121.8	121.1	120.7	121.1	121.1	121.1
4	163	154.5	155.0	155.8	152.0	149.1	146.6	142.1	138.6	136.8	136.4	136.8	136.8	136.8
5	153	175.0	175.7	176.1	172.9	168.8	165.6	159.3	154.2	151.0	149.7	149.8	149.8	149.8
6	143	192.7	193.7	194.3	191.9	187.2	183.1	175.4	168.7	164.4	161.5	161.0	161.0	161.0
7	133	207.9	209.4	210.9	209.0	204.1	199.3	190.2	181.8	176.2	171.9	170.5	170.5	170.5
8	123	221.0	222.8	225.4	224.6	220.3	215.0	203.9	193.8	186.5	181.2	178.8	178.8	178.8
9	113	231.8	233.8	238.1	239.2	235.7	230.3	216.5	204.4	195.7	189.5	186.9	186.9	186.9
10	103	241.5	243.6	248.7	252.6	250.3	244.7	228.3	214.4	203.7	196.8	194.1	194.1	194.1
11	93	249.6	252.0	258.5	264.4	263.9	258.2	239.1	223.2	211.0	203.3	200.9	200.9	200.9
12	83	255.9	258.7	266.2	274.9	276.3	271.0	249.0	230.6	217.1	208.8	206.5	206.5	206.5
13	73	260.7	263.7	272.3	284.4	287.6	282.8	257.7	236.3	221.7	213.2	210.7	210.7	210.7
14	63	264.0	267.1	276.6	292.0	297.2	292.7	264.4	240.3	224.8	216.3	213.7	213.7	213.7
15	53	265.9	269.1	279.0	296.2	302.3	297.7	267.7	242.8	226.7	218.0	215.2	215.2	215.2
16	47.8	266.3	269.5	279.4	297.1	303.0	298.7	268.5	243.3	227.3	218.4	215.5	215.5	215.5

All dimensions in mm.

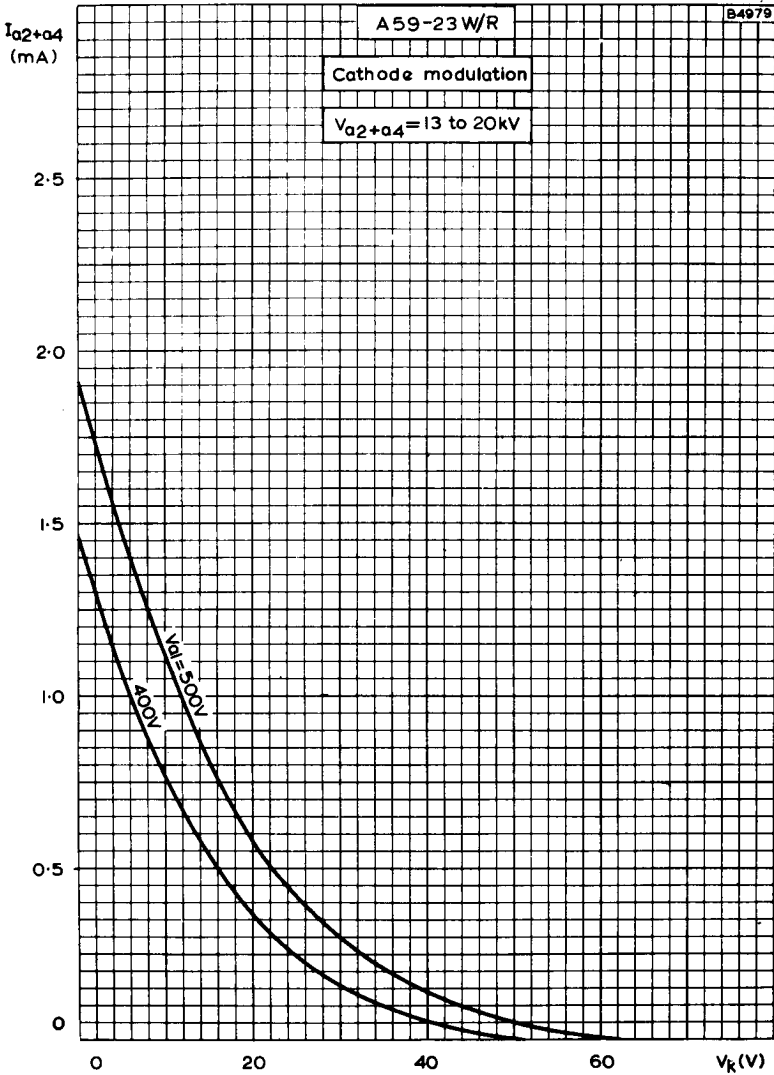


All dimensions in mm.

The bolts to be used for mounting the tube must be within the circles of 9.5mm diameter shown in the template drawing.

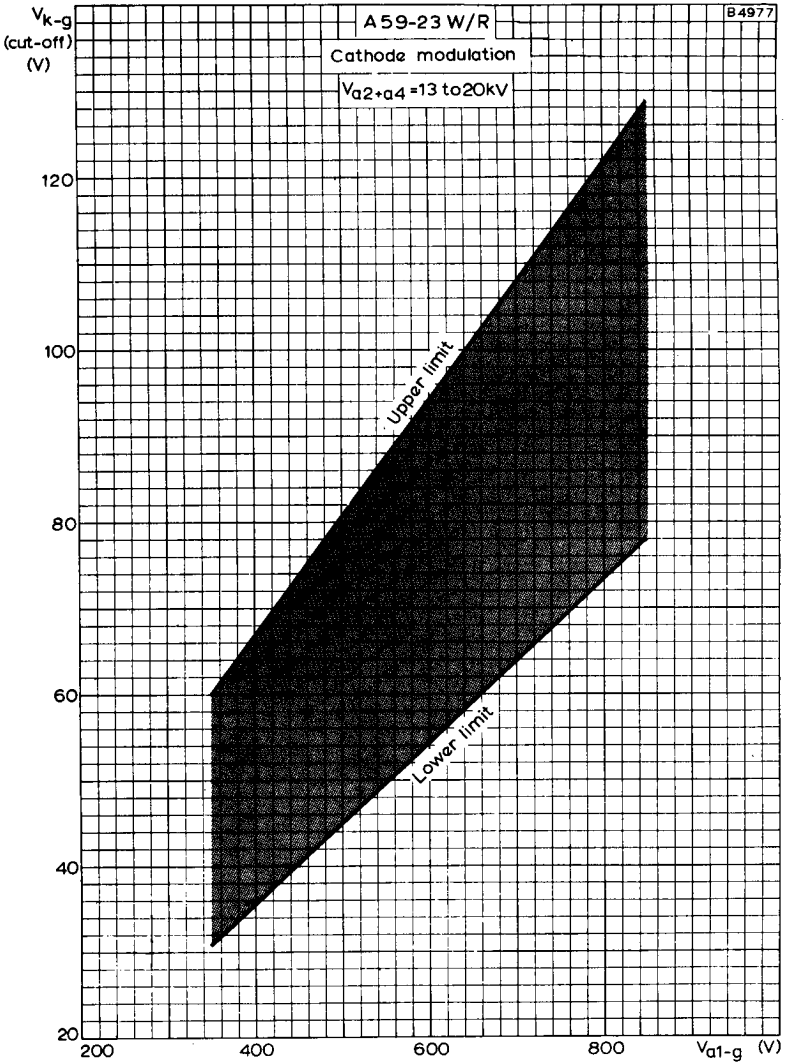


FINAL ANODE CURRENT PLOTTED AGAINST GRID VOLTAGE.
GRID MODULATION.

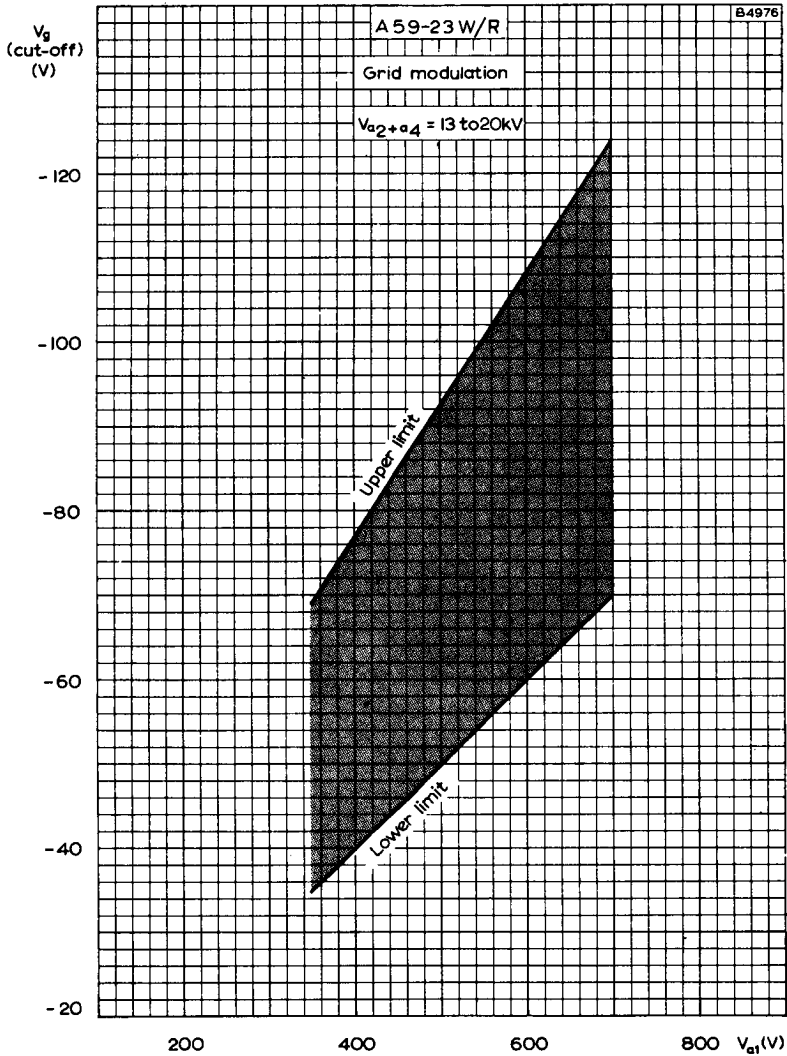


FINAL ANODE CURRENT PLOTTED AGAINST CATHODE-TO-GRID VOLTAGE. CATHODE MODULATION.





LIMITS OF CATHODE-TO-GRID CUT-OFF VOLTAGE PLOTTED AGAINST FIRST ANODE-TO-GRID VOLTAGE. CATHODE MODULATION.



LIMITS OF GRID CUT-OFF VOLTAGE PLOTTED AGAINST FIRST ANODE VOLTAGE, GRID MODULATION.