



EITEL-McCULLOUGH, INC.
SAN CARLOS, CALIFORNIA

TENTATIVE DATA

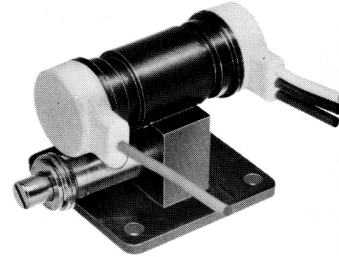
1K20XD-A

X-BAND
REFLEX KLYSTRON

The Eimac 1K20XD-A is a ceramic and metal, conduction-cooled reflex klystron designed for local oscillator service in applications encountering severe vibration, shock or temperature extremes. This tube will deliver a typical output power of 75 milliwatts over the frequency range of 10,000 to 10,700 megacycles.

The stacked-ceramic construction results in an extremely rugged design and low sensitivity to vibration.

Leads to the tube are permanently attached and protected by molded silastic rubber caps which permit operation at any altitude without flashover.



GENERAL CHARACTERISTICS

ELECTRICAL

Cathode:	Unipotential, oxide coated		
	Warm-up time	- - - - -	30 seconds
Heater:	Voltage	- - - - -	6.3 volts
	Current	- - - - -	0.8 ampere
Typical Output Power (Load VSWR = 1.15:1)		- - - - -	75 milliwatts
Frequency Range		- - - - -	10,000 to 10,700 megacycles

MECHANICAL

Operating Position	- - - - -	Any
Mounting	- - - - -	UG-39/U waveguide flange
Cooling	- - - - -	Conduction
Electrical Connections	- - - - -	Flexible leads
RF Output Coupling	- - - - -	RG-52/U waveguide
Net Weight	- - - - -	4 ounces
Shipping Weight (approximate)	- - - - -	2 pounds
Maximum Overall Dimensions:		
Height	- - - - -	1.50 inches
Width	- - - - -	1.63 inches
Length	- - - - -	2.50 inches

ENVIRONMENTAL

Maximum Ambient Temperature	- - - - -	150° C
Maximum Altitude	- - - - -	No limit
Maximum Non-Operating Shock* (11 ms Duration)	- - - - -	40 g
Maximum Operating Vibration** (20 to 2,000 cps)	- - - - -	10 g

*Based on a permanent frequency shift after drop of 2 megacycles.

**Based on a maximum peak-to-peak frequency deviation of 200 kilocycles.

**MAXIMUM RATINGS**

DC RESONATOR VOLTAGE*	- - - - -	350 MAX.	VOLTS
DC CATHODE CURRENT	- - - - -	55 MAX.	MA
RESONATOR DISSIPATION	- - - - -	20 MAX.	WATTS
PEAK REPELLER VOLTAGE*			
POSITIVE WITH RESPECT TO CATHODE	- - -	0 MAX.	VOLTS
NEGATIVE WITH RESPECT TO CATHODE	- -	500 MAX.	VOLTS

TYPICAL OPERATION (Load VSWR less than 1.15 to 1)

DC Resonator Voltage*	- - - - -	300	350	volts
Mode	- - - - -	5-3/4	5-3/4	
Frequency	- - - - -	10,350	10,350	megacycles
DC Cathode Current	- - - - -	26	35	milliamperes
DC Repeller Voltage*	- - - - -	-165	-150	volts
DC Repeller Current	- - - - -	1	1	microampere
Power Output	- - - - -	50	75	milliwatts
Electronic Tuning (3db bandwidth)	- - - - -	30	30	megacycles
Modulation Sensitivity ($\Delta E_r = \pm 3$ volts)	- - - - -	2.0	2.0	Mc/volt
Peak-to-Peak FM Deviation (10g, 20-2000 cps)	- - - - -	200	200	kilocycles
Residual FM	- - - - -	50	50	kilocycles

*All voltages referred to cathode.

APPLICATION

Cooling: At sea level this tube will not require forced air cooling when operated at its maximum rated dissipation with an ambient temperature less than 150° Centigrade. The waveguide flange connection will normally provide the required heat sink for conduction cooling. If an insulator is used between the tube and waveguide for DC isolation, forced air cooling may be required to maintain the body temperature below the maximum rating of 175° Centigrade.

Resonator: The resonator of the 1K20XD-A is integral with the body of the klystron. For this reason it is often convenient to operate the resonator at chassis potential, with the repeller and cathode at appropriate negative potentials.

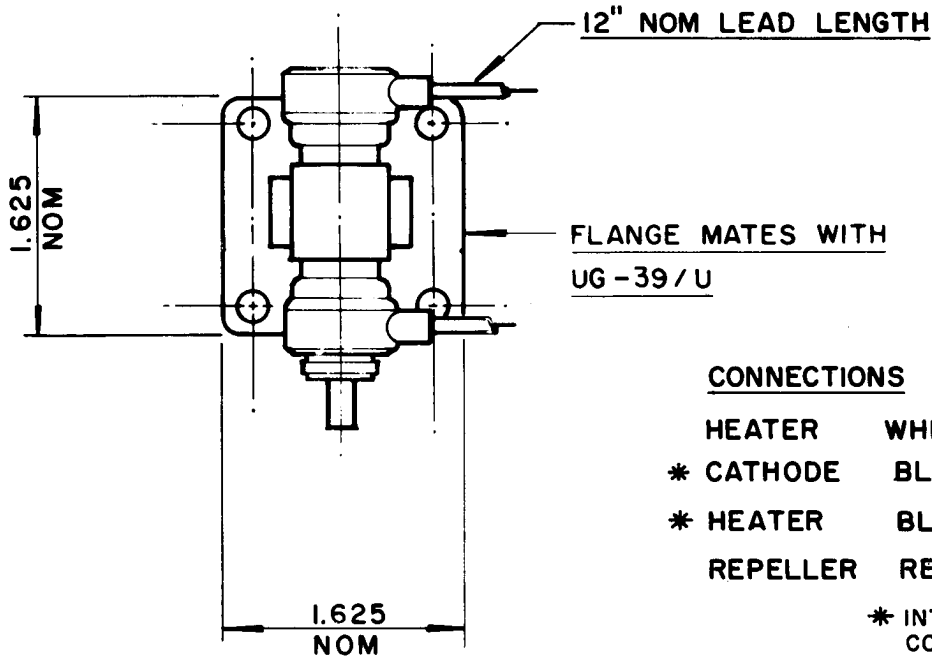
Cathode: The heater voltage should be maintained within $\pm 5\%$ of the rated value of 6.3 volts if variations in performance are to be minimized and the best tube life obtained.

The heater and cathode of the 1K20XD-A are internally connected. When the resonator of this tube is operated at chassis potential, the heater transformer must be insulated for the cathode-to-resonator voltage.

Mechanical Tuning: In the 1K20XD-A a fixed-tuned inner cavity is closely coupled through a ceramic window to a secondary cavity outside the vacuum. Mechanical tuning is accomplished by a capacitive slug in the secondary cavity with a tuning rate of approximately 150 megacycles per turn. This design allows repeated tuner cycling without damaging the vacuum seals. The maximum tuner torque is 40 inch-ounces.

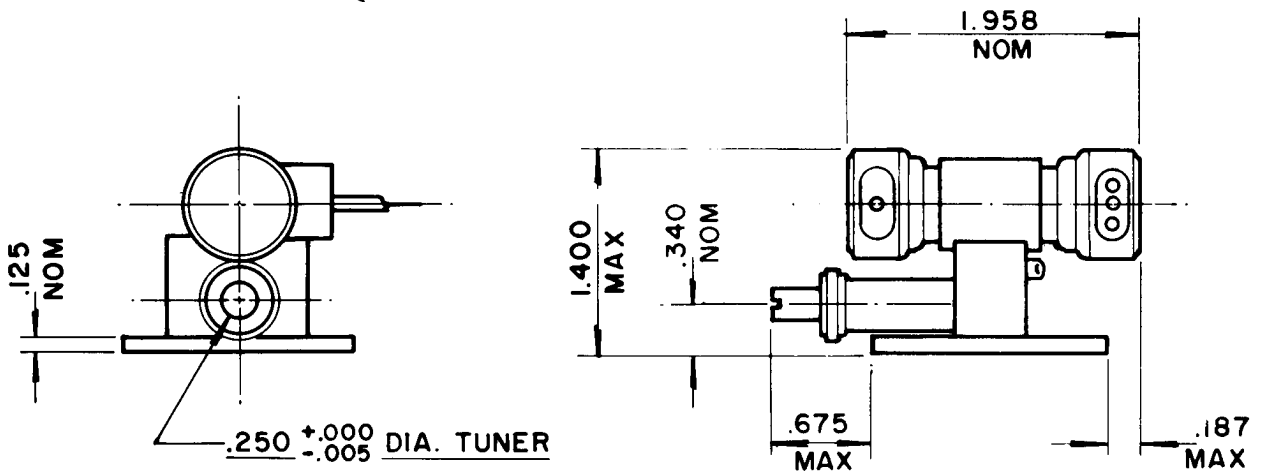
A clockwise rotation of the tuner will produce a decrease in frequency.

1K20XD-A



CONNECTIONS

- | | |
|------------------------|-------|
| HEATER | WHITE |
| * CATHODE | BLACK |
| * HEATER | BLACK |
| REPELLER | RED |
| * INTERNALLY CONNECTED | |





1K20XD-A TYPICAL OPERATING CHARACTERISTICS

Ers = 300 Vdc

Ik = 26 mAdc

5³/₄ MODE

Ers = 350 Vdc

Ik = 35 mAdc

5³/₄ MODE

