

PHANOTRON

DESCRIPTION

The FG-190 is a gas-filled all-metal tube for use as a full-wave rectifier at low voltages. The use of gas imposes a voltage limitation and tubes of this type

will not carry as high a voltage as mercury tubes of comparable size. They can, however, be operated in much lower ambient temperatures.

TECHNICAL INFORMATION

These data are for reference only. For design information refer to specifications.

GENERAL CHARACTERISTICS

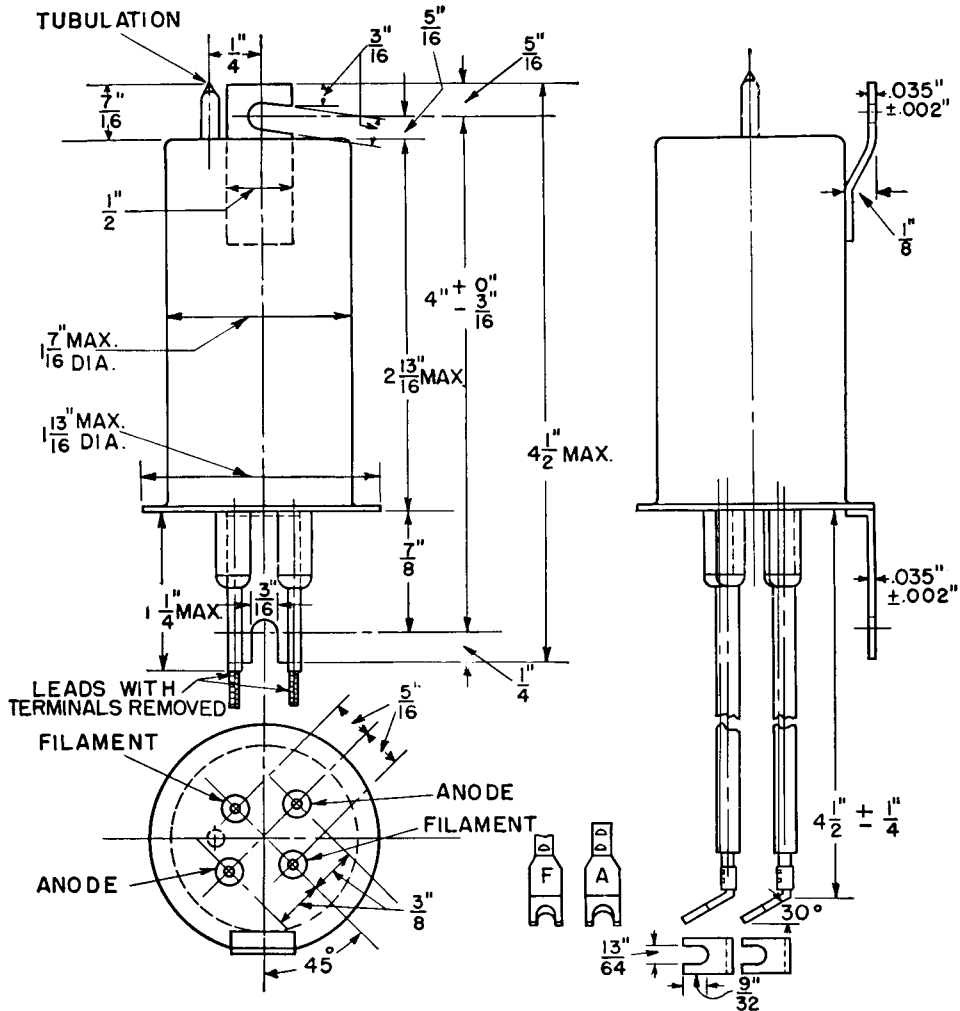
Number of electrodes	3
Electrical	
Cathode—Filamentary type	
Heater voltage	2.5 volts
Heater current, approx.	12 amperes
Heating time, typical	5 seconds
Voltage drop, typical	8 volts
Pick-up voltage, either anode, typical	14 volts
Mechanical	
Net weight, approx.	6 ounces
Shipping weight, approx.	4 pounds
Mounting position	vertical, with leads down



TECHNICAL INFORMATION (CONT'D)

MAXIMUM RATINGS

Maximum peak inverse anode voltage.....	175 volts
Maximum instantaneous anode current	
25 cycles and above.....	5 amperes
Below 25 cycles.....	2.50 amperes
Average anode current.....	1.25 amperes
Surge anode current, for design only.....	20 amperes
Duration of surge current.....	0.1 second
Maximum time of averaging current.....	15 seconds
Ambient temperature limits.....	-20 to +50 centigrade



OUTLINE
 FG-190 PHANTOTRON

K-5300039

7-13-44