



THYRATRON

DESCRIPTION

The GL-2051 is a small, double-grid, inert-gas-filled thyatron designed for grid-control rectifier service. The control characteristic is independent of ambient temperature over a wide range. The tube is not appreciably affected by line-voltage surges

because of the low grid-to-anode capacitance. High sensitivity, the result of low grid current which allows the use of high resistance in the grid circuit, permits operation of the GL-2051 thyatron from a vacuum type phototube.

RECOMMENDED FOR REPLACEMENT ONLY

TECHNICAL INFORMATION

These data are for reference only. For design information refer to specifications.

GENERAL CHARACTERISTICS

Number of electrodes	4
Electrical	
Cathode—Indirectly heated type	
Voltage	6.3 volts
Current, approx.	0.6 ampere
Heating time, minimum	10 seconds
Peak voltage drop, approx.	14 volts
Grid resistor*	
Minimum	0.01 megohm
Maximum	10 megohms
Anode to control-grid capacitance, approx.	0.2 micromicrofarad

**When this tube is operated with an alternating anode voltage and a high value of grid-circuit resistance, the grid-anode capacitance should be made as small as possible by placing the grid resistor directly at the socket terminal, by connecting pins 4 and 8 together at the socket, and by using a close fitting bulb shield connected to the cathode terminal.*



TECHNICAL INFORMATION (CONT'D)

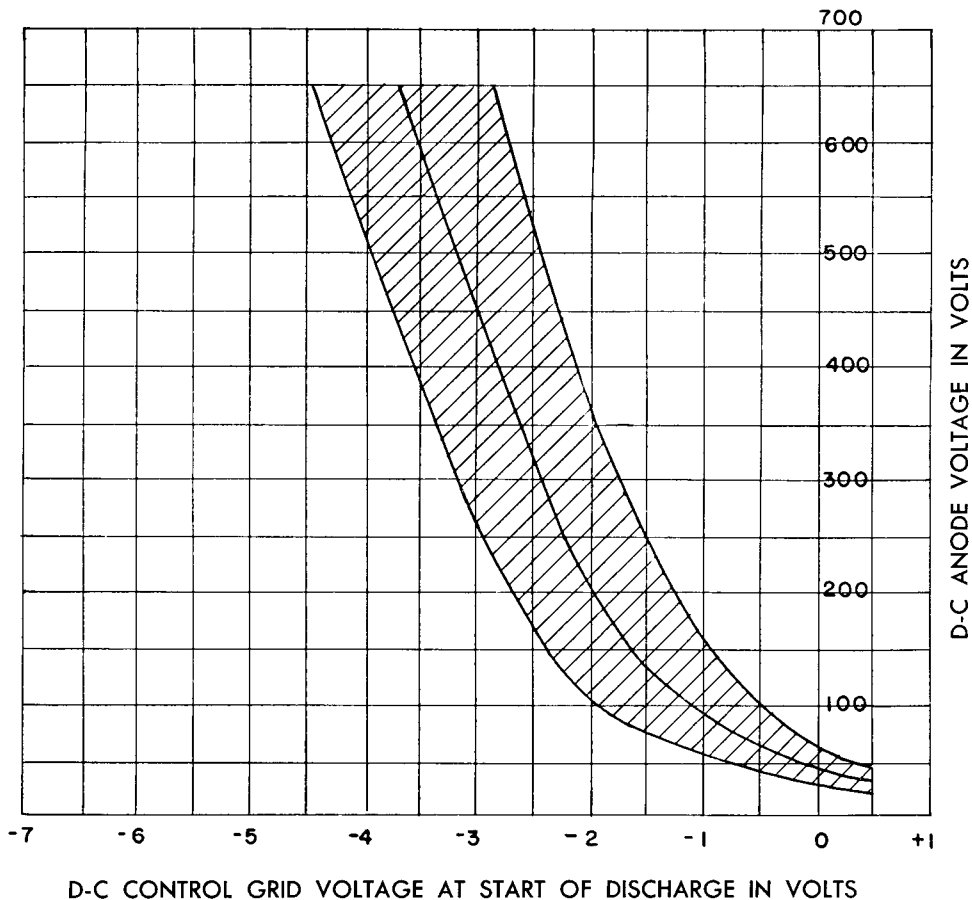
Mechanical

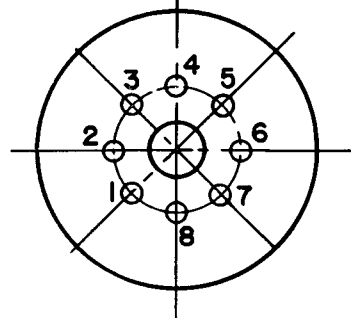
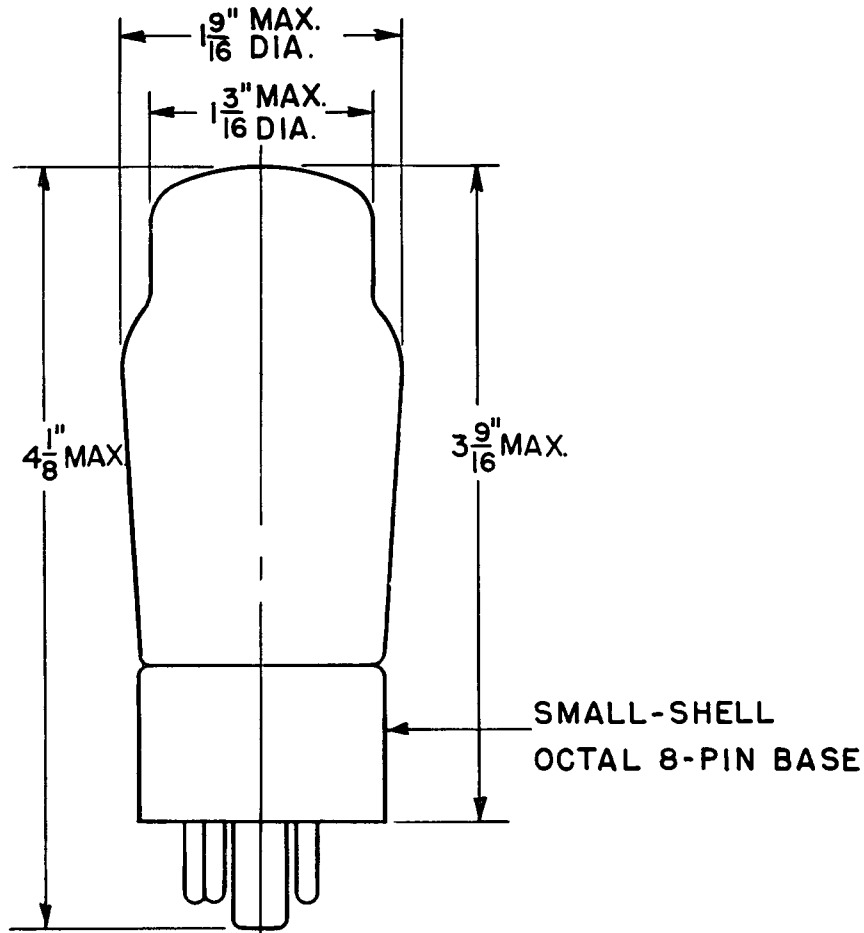
Net weight, approx.	2	ounces
Shipping weight, approx.	3	pounds
Operating position.		Vertical or horizontal

MAXIMUM RATINGS

Maximum peak anode voltage		
Inverse	700	volts
Forward	350	volts
Shield-grid voltage	0	volts
Maximum anode current		
Instantaneous	375	milliamperes
Average	75	milliamperes
Maximum time of averaging current	30	seconds

GL-2051
 TYPICAL CONTROL CHARACTERISTICS
 SHADED AREA SHOWS RANGE OF CHARACTERISTICS
 SHIELD GRID CONNECTED TO CATHODE





PIN	CONNECTION
1	NO CONNECTION
2	HEATER
3	ANODE
4	NO CONNECTION
5	CONTROL GRID
6	SHIELD GRID
7	HEATER
8	CATHODE

Electronics Department
GENERAL  ELECTRIC
Schenectady, N. Y.