

Mullard

HIGH VOLTAGE RECTIFIER

1878

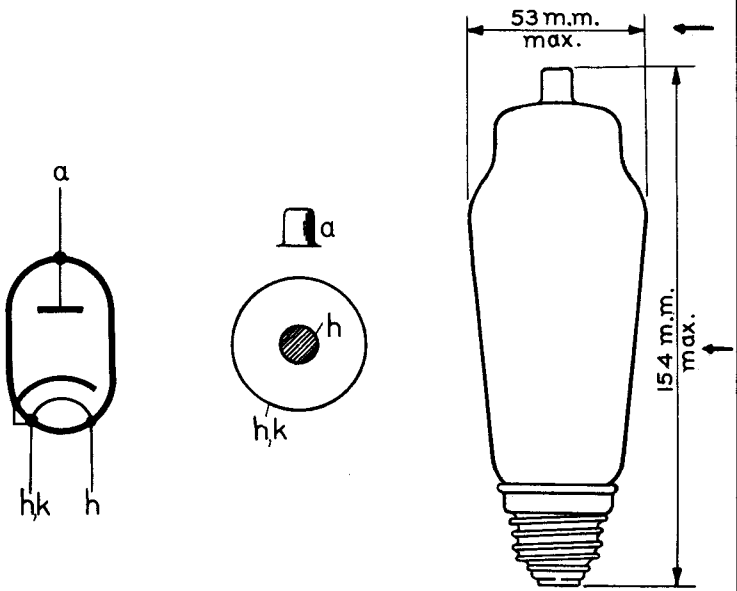
Heater

Vf = 4.0 V
If = 0.7 A

Operating Conditions

Va max 10,500 V ←
Ia max 2 mA

Arrangement of electrodes and base connections.



1878

1878

Mullard HIGH VOLTAGE RECTIFIER

