

# Mullard MEDIUM IMPEDANCE TRIODE

# DB3

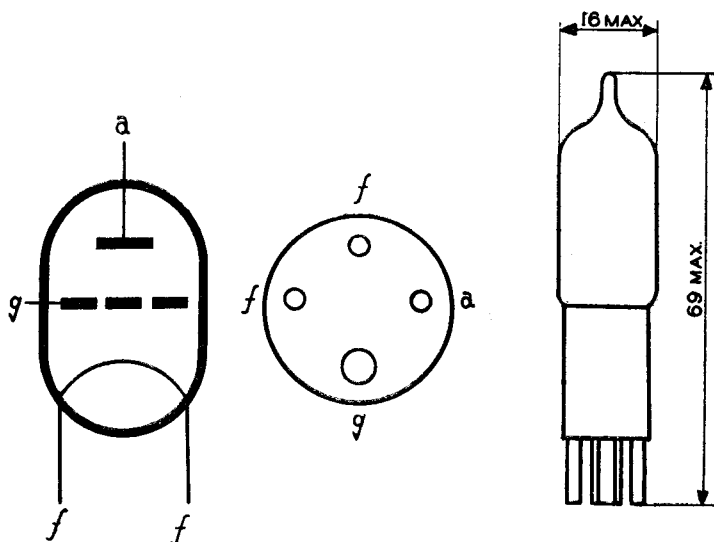
## TENTATIVE DATA

|                      |        |                |
|----------------------|--------|----------------|
| Filament             |        | $V_f = 1.5$ V  |
|                      |        | $I_f = 0.07$ A |
| Operating Conditions |        |                |
| $V_a$ .....          | 20     | 40 V           |
| $I_a$ .....          | 0.5    | 1.8 mA         |
| $-V_{g1}$ .....      | 1.0    | 2.8 V          |
| $g$ .....            | 4.7    | 4.7            |
| $S$ .....            | 0.35   | 0.62 mA/V      |
| $R_i$ .....          | 13,500 | 7,600 $\Omega$ |

## Limiting Values

|                    |                |
|--------------------|----------------|
| $V_a$ max .....    | 100 V          |
| $R_{g1}$ max ..... | 1.0 M $\Omega$ |

## Arrangement of electrodes and base connections



DB3

# DB3

## Mullard MEDIUM IMPEDANCE TRIODE

