



DESCRIPTION

The Sylvania Type SC-3093 is a compact, 3" monoscope tube designed for use in conjunction with high speed electrostatic printing equipment. It features a useful target area approximately 2 x 2", on which any pattern or up to 64 alpha numeric characters can be furnished. Artwork supplied on the target can be made according to individual customer's specifications.

QUICK REFERENCE DATA

3" Diameter Monoscope
 Round Glass Type
 2 x 2" Target Plate
 Electrostatic Focus
 Electrostatic Deflection

CHARACTERISTICS

GENERAL DATA

Focusing Method Electrostatic
 Deflecting Method Electrostatic

ELECTRICAL DATA

Heater Voltage 6.3 Volts
 Heater Current $0.6 \pm 10\%$ Amperes

RATINGS

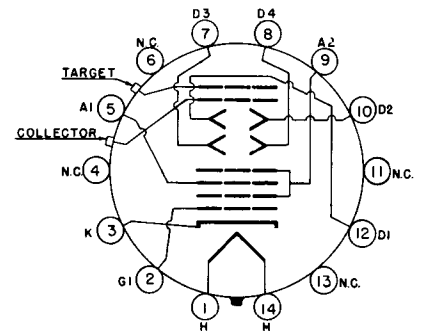
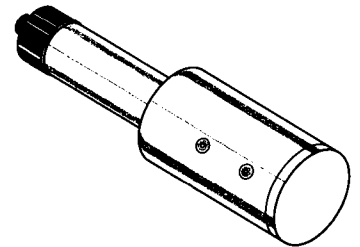
MAXIMUM RATINGS (Absolute Maximum Values)

All Voltages Measured with Respect to Cathode

Collector 2500 Volts dc
 Target 2500 Volts dc
 Anode No. 1 (Focusing Electrode) 1000 Volts dc
 Anode No. 2 (Accelerator) 2500 Volts dc
 Negative Grid No. 1 (Control Grid) 200 Volts dc
 Peak Heater Cathode Voltage
 Heater Negative with Respect to Cathode 200 Volts
 Heater Positive with Respect to Cathode 200 Volts

TYPICAL OPERATING CONDITIONS

Cathode-to-Target Voltage 1100-1600 Volts
 Collector-to-Target Voltage +50 Volts
 Anode No. 2-to-Target +110 to +225 Volts
 Anode No. 1-to-Cathode 21 to 38 % of E_{A2}
 Deflection Factors:
 D3-D4 62-81 Volts dc/Inch/kv.
 D1-D2 75-98 Volts dc/Inch/kv.



SYLVANIA ELECTRIC PRODUCTS INC.

Electronic Components Group
 ELECTRONIC TUBE DIVISION
 SENECA FALLS, NEW YORK

A Technical Publication

JUNE, 1964

PAGE 1 OF 2

File Under

SPECIAL AND GENERAL PURPOSE CATHODE RAY TUBES

OUTLINE

