

**MECHANICAL DATA**

Dimensions	Per outline
Mounting Position (one gasket is supplied with each tube)	Any
Ambient Temperature Range (non-operating)	-40 to + 100°C

**ELECTRICAL DATA**

**RATINGS**

Transmitter Peak Power (min.)	4 KW
-------------------------------	------

**GENERAL DATA**

Center Frequency	9300 Mc
Loaded Q (Test Mount A) (max.)	6.5
Low Level Characteristics at Center Frequency	
Equivalent Conductance (Test Mount A) (max)	0.1
Tuning Susceptance (Test Mount A)	-.06 to + .06
High Level Characteristics	
Arc Loss (max.) (1)	0.8 db
High Level VSWR (max.) (2)	1.15
Recovery Time (max.) (3)	8 $\mu$ sec

**NOTES**

- (1)  $P_i = 4$  KW;  $t_p = 0.5$   $\mu$ sec;  $prr = 1000$  pps;  $f = 9025$  Mc; Test Mount A or B
- (2)  $P_o = 20$  KW;  $t_p = 1.0$   $\mu$ sec;  $prr = 1000$  pps;  $f = 9025$  Mc; Test Mount B
- (3)  $P_i = 50$  KW;  $t_p = 1.0$   $\mu$ sec;  $prr = 1000$  pps;  $f = 9300$  Mc. The distance between the position of the minimum in the unfired condition and the position of the minimum after the specified time interval after the magnetron pulse shall be less than  $.05 \lambda$  g. The probing signal shall be 9300 Mc.

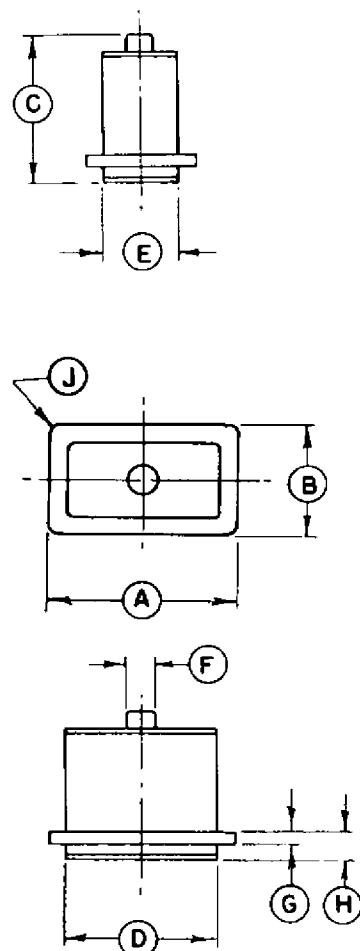
**APPLICATION DATA**

The Sylvania Type 6396 is an anti-transmit-receive tube for use at a center frequency of 9300 mc. It is designed to be contact mounted in the waveguide at the window end of the tube using a combination metal-rubber gasket. This makes pressurization of the waveguide easier, eliminates difficulties encountered with choke type mountings, and permits miniaturization. The Type 6396 used in pairs mounted directly opposite each other in the E-plane of the system waveguide provides broad-band protection for the receiver.

from JETEC release #1390, Dec. 27, 1954

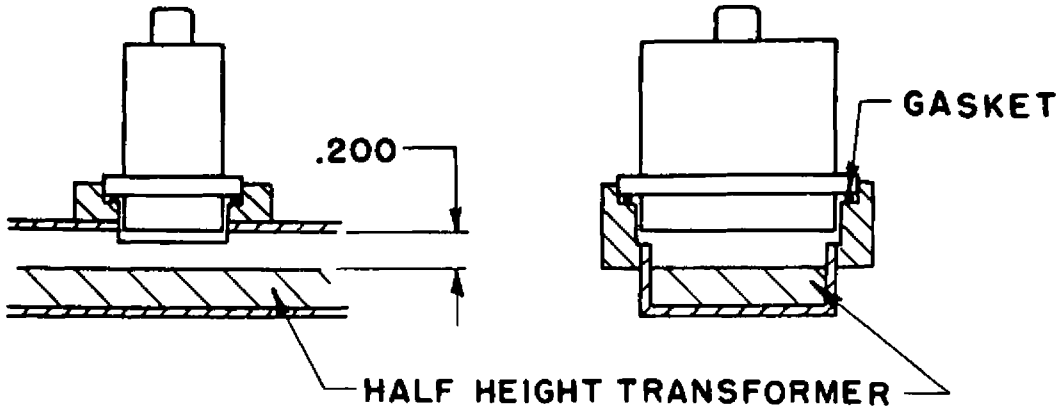
**QUICK REFERENCE DATA**

The Sylvania Type 6396 is a broad-band ATR tube designed for use at a center frequency of 9300 mc. It is contact mounted at the window end of the tube and is designed to be used in pairs one opposite the other.

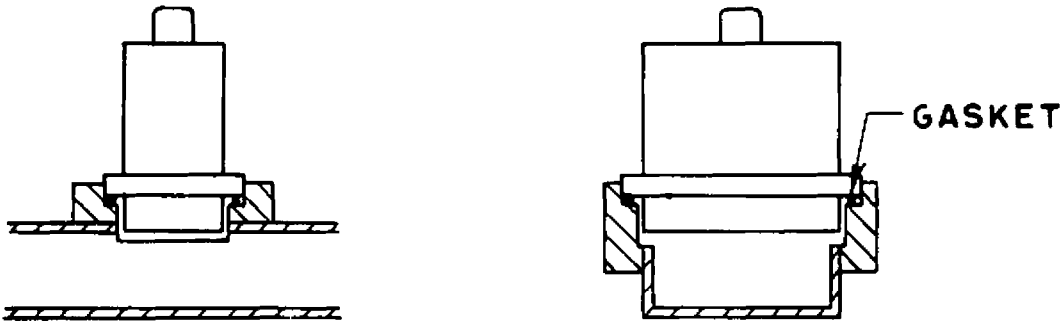


REF	DIMENSION
A	1.200
B	.700
C	1.250 MAX.
D	1.000
E	.500
F	.250 MAX. DIA.
G	.0970
H	.279
J	.075R

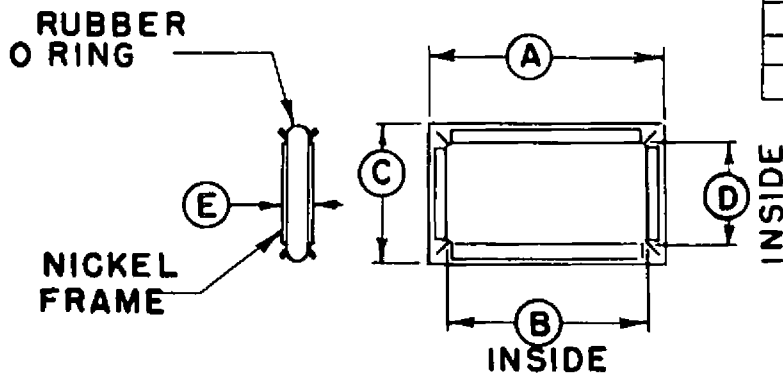
## TEST MOUNT A



## TEST MOUNT B



## GASKET



REF.	DIMENSIONS
A	1 15-64 MAX.
B	1.000
C	23/32 MAX.
D	.500
E	.093

NOTE 1: Tube is to be held firmly in position by means of clamps.

NOTE 2: Bottom of tube is to be approx. flush with inside surface of waveguide.

NOTE 3: Waveguide size for mount is RG52/U.