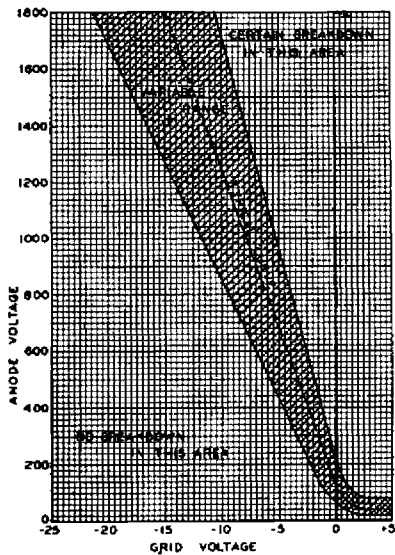


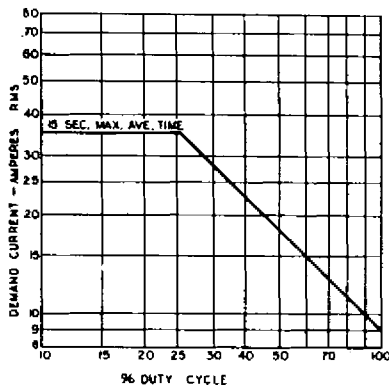
GRID CONTROL RECTIFIER TUBE

Xenon Gas Filling

6984 EL C4H-1
6985 EL C4H-2
6986 EL C4H-3
8065 EL C4H-4
8066 EL C4H-5



**Control
Characteristic**



**Back-To-Back
Contactor Rating**

Two tubes connected in inverse parallel demand current with full conduction during each half cycle.

Maximum Rated Anode Current

D-c. Meter Value — Continuous	4.0 amps
D-c. Meter Value — Overload less than 3 sec.	8.0 amps
Averaging Time	15 secs
Oscillograph Peak — Continuously recurring	50 amps
Peak Forward Voltage (Max. Instantaneous)	1700 volts
Peak Inverse Voltage (Max. Instantaneous)	1700 volts

Max. Commutation Factor ($V/\mu\text{sec} \times A/\mu\text{sec}$)	130
Min. Frequency	25 cycles

Filament

Voltage	2.5 volts
Current	17 ± 2 amps
Heating Time (minimum)	60 secs

Average Arc Drop

Average Tube	11 volts
Highest Tube	15 volts

Anode Starting Voltage @ +3V d-c grid voltage

Average Tube	40 volts
Highest Tube	80 volts

Max. Anode Reverse Current	100 μamps
----------------------------------	----------------------

Grid Characteristics

Critical Grid Voltage @ 1700 p.f.v.	-10.0 to -20.0 volts
Critical Grid Current	Less than 20 μamps
Grid-Anode Capacitance	approx. 5 μmf
Grid-Filament Capacitance	approx. 21 μmf

Maximum Negative Grid Voltage	100 volts
-------------------------------------	-----------

Deionization Time	Less than 1000 μsecs
Max. Peak A-c Fault Current (Max. duration 0.1 sec.)	500 amps

Ambient Temperature Limits	-55° to +75° C
----------------------------------	----------------

Overall Dimensions

(See outline drawing on back page)

The filament must be lit before drawing load current.

The above values are for return to filament transformer center tap.

Filament phasing during conduction must be as indicated on drawings.

The Engineering Manual contains additional information which should be considered in circuit design.

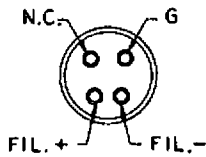
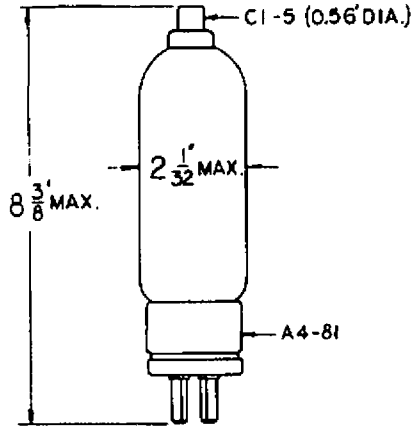
EL C4H-1
 EL C4H-2
 EL C4H-3
 EL C4H-4
 EL C4H-5

OUTLINE DRAWINGS

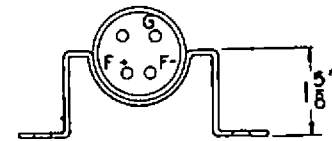
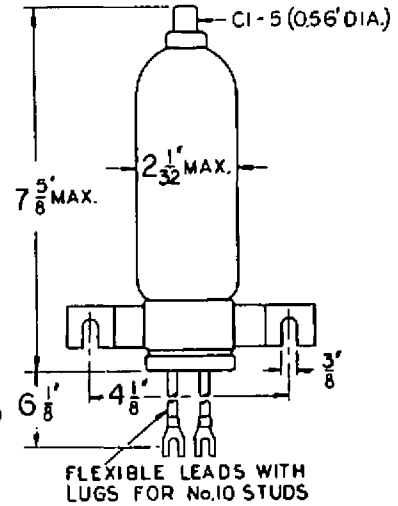
EL C4H Series

(NOTE: Dimensions nominal unless otherwise stated.)

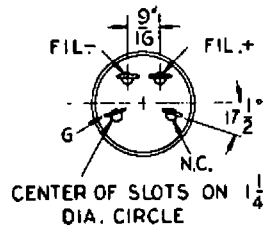
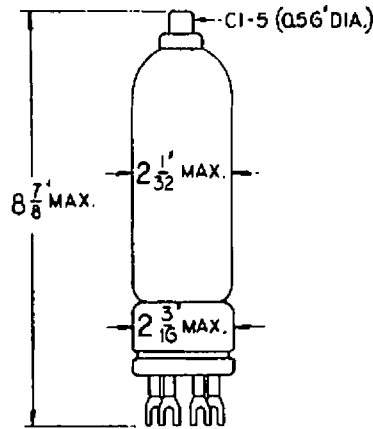
EL C4H-1



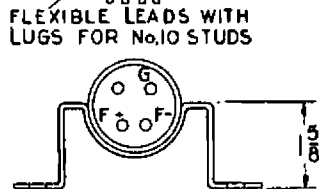
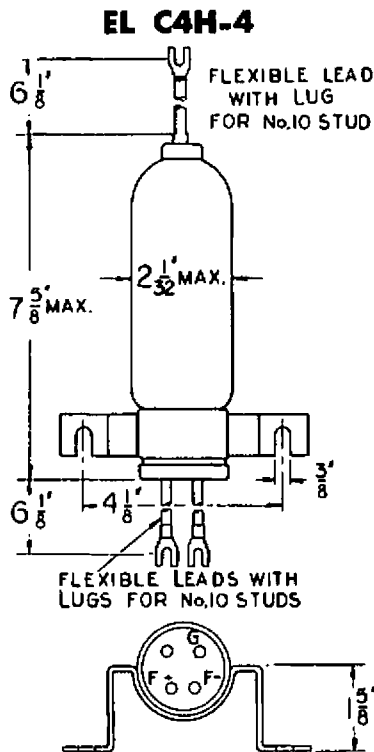
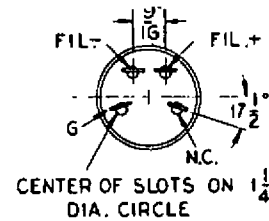
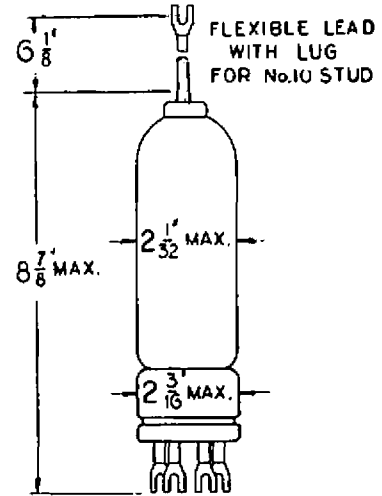
EL C4H-2



EL C4H-3



EL C4H-5



ELECTRONS
 I N C O R P O R A T E D

127 SUSSEX AVENUE, NEWARK 3, N. J.