

RADIO MANUFACTURERS ASSOCIATION



SUITE 701-4 AMERICAN BUILDING
1317 F STREET, N.W.
WASHINGTON, D. C.

Release #196

R.M.A. DATA BUREAU
90 West Street
New York, N. Y.

June 27, 1939

On application of **Compagnie des Lampes**
Paris
France

the type of vacuum tube defined by the ratings and characteristics given below has been registered under the tube type designation

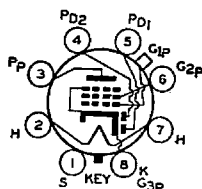
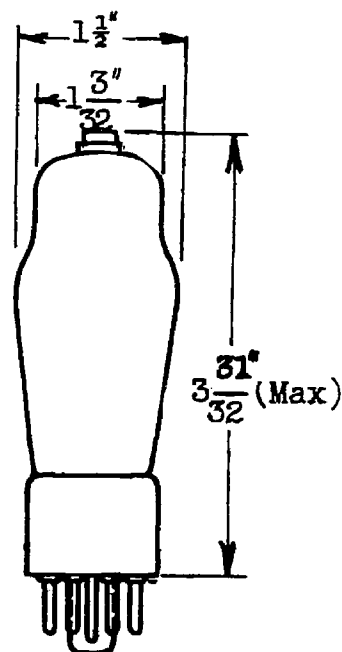
6H8 (G)
Double Diode
High Gain Pentode

Heater Voltage AC or DC 6.3 Volts
Heater Current 0.3 Ampere

PENTODE UNIT
CLASS A AMPLIFIER

Heater Voltage	6.3	6.3	6.3	6.3	Volts
Plate Voltage	100	200	250	250	Volts
Screen Voltage	100	100	100	125	Volts
Grid Voltage	-2	-2	-2	-2	Volts
Plate Current	5.5	5.7	5.7	8.5	Ma.
Screen Current	1.9	1.8	1.8	2.6	Ma.
Grid Bias Voltage *	-26	-26	-26	-35	Volts
Plate Resistance	0.4	0.9	1.1	0.65	Megohm
Mutual Conductance	2000	2100	2100	2400	Microhos
Amplification Factor	800	1900	2300	1550	

* For plate current less than 50 microamperes.



BASING 8 E