

# Carcinotron

## CO 210



### CO 210 / F 4005 1,600 to 3,200 MCs

### WIDE ELECTRONIC TUNING BAND OSCILLATOR

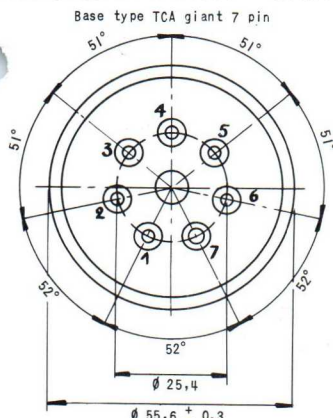
The "Carcinotron" CO 210 tube with integral magnet gives a power of about 100 to 600 mW between 1,600 and 3,200 Mc/s.

The frequency varies in a continuous manner as a function of anode 2 (line and collector) voltage without hysteresis or lack of oscillations.

The tetrode structure of the gun allows an amplitude modulation or a pulse operation by acting on wehnelt grid voltage or on anode voltage.

**TENTATIVE  
DATA**

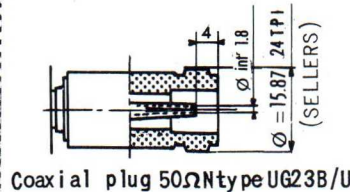
#### PIN ARRANGEMENT



- 1.- Filament
- 2.- Cathode
- 3.- Anode 1
- 4.- Grid 1
- 5 } Anode 2
- 6 }
- 7.- Filament

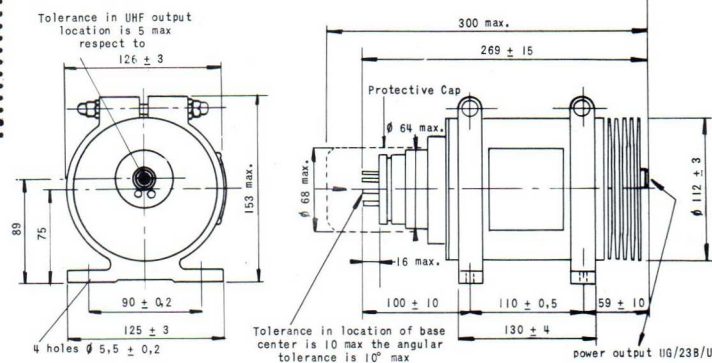
Net Weight : 6,750 kg.

#### RF OUTPUT



Coaxial plug 50Ω type U623B/U

#### LAYOUT



Dimensions in mm

**Compagnie générale**

Société Anonyme au Capital de 3.998.750.000 F.  
Siège Social : 79, Boul. Haussmann — PARIS (8<sup>e</sup>)



**de télégraphie Sans Fil**

DIVISION TUBES ÉLECTRONIQUES  
Direction Commerciale : 79, Bd Haussmann, PARIS-8<sup>e</sup> - ANJ. 84-60

5904 D6 - 1/4 A