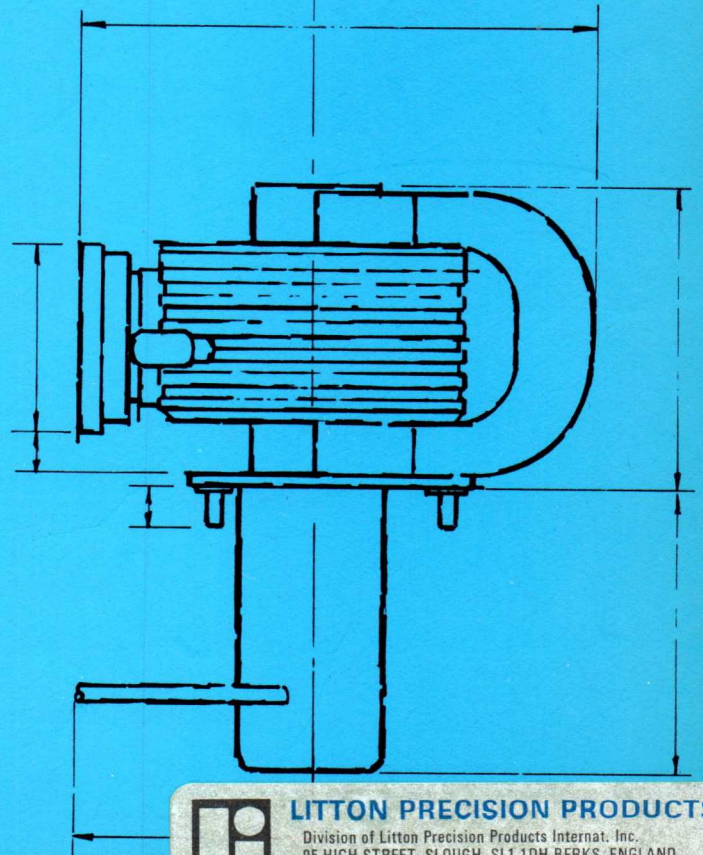
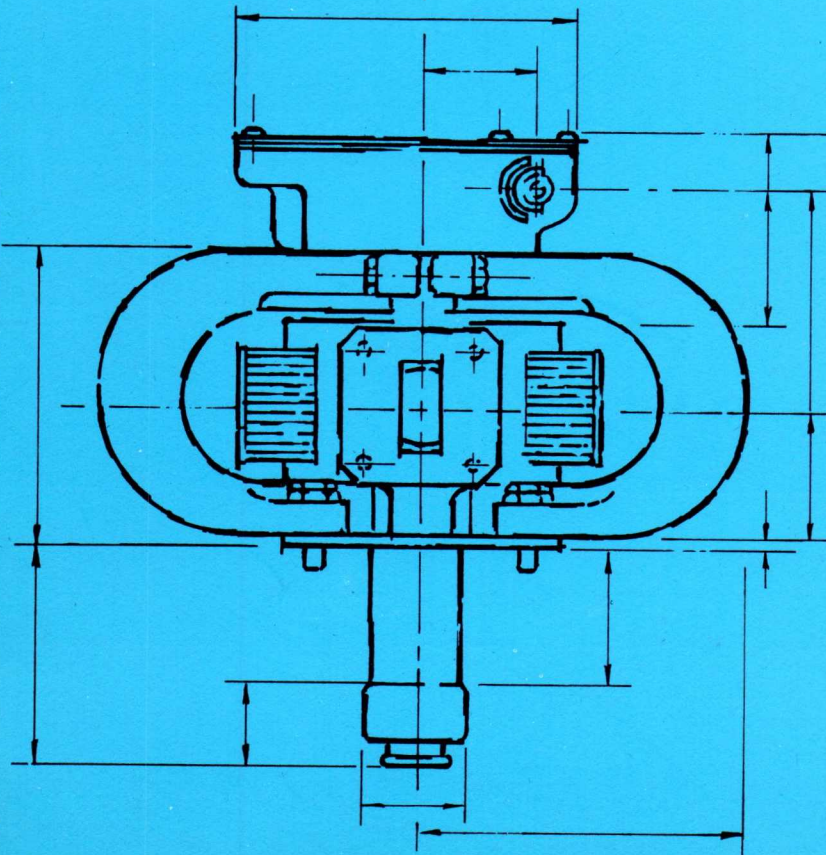
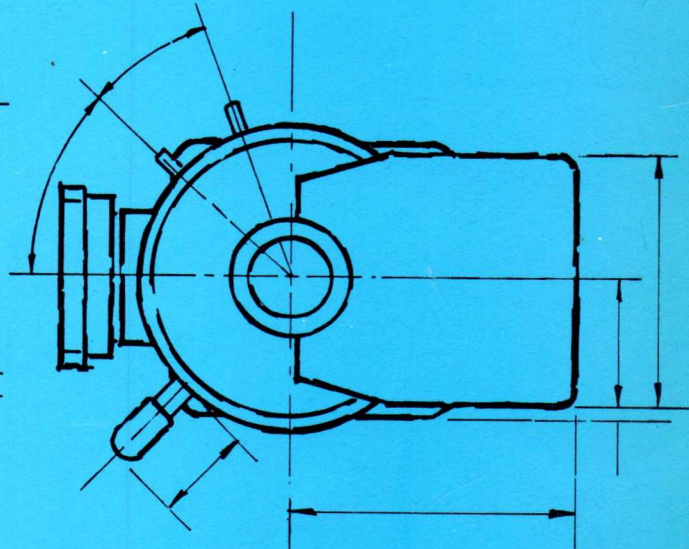
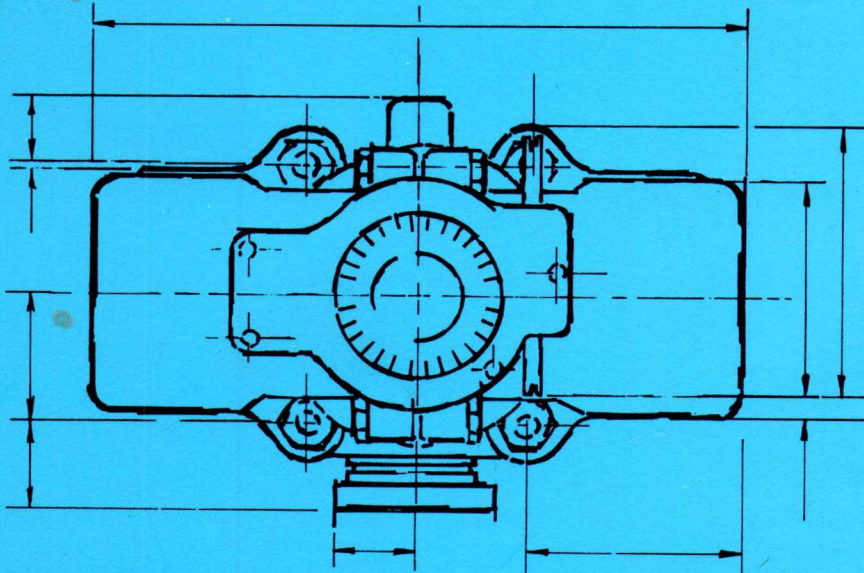


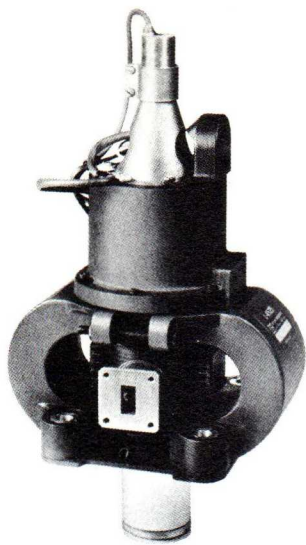
# Litton Magnetron Product Summary



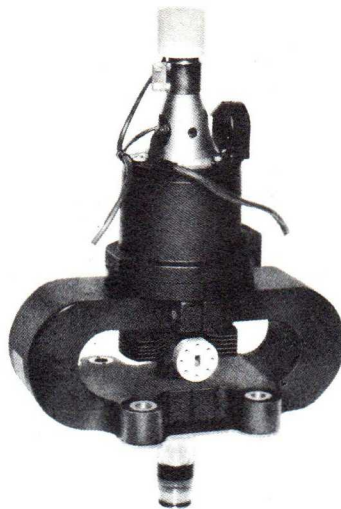
**LITTON PRECISION PRODUCTS**

Division of Litton Precision Products Internat. Inc.  
95 HIGH STREET, SLOUGH, SL1 1DH BERKS, ENGLAND  
Telephone: Slough 28267; Cable Address: Littoncomp Slough  
Telex No: 847548. VAT Registration No. 208 2607 82

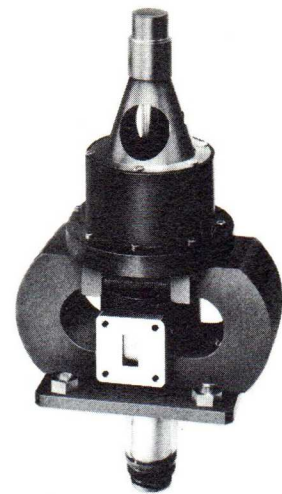




L-4525 11.4" High



L-4558 11 1/4" High



L-4527 10 1/16" High

## Rapid Tuned Pulse Magnetrons

### J-BAND COAXIAL — ELECTROMAGNETICALLY TUNED

Tube Type	Min. Peak Power (kw)	Frequency (MHz)	Tuning	Nominal Operating Characteristics				Max. Duty	Max. Wt. (lbs.)	Applications/Comments
				Ef Volts	If Amps	eb kilovolts	ib amps			
L-4525	90	16,000-16,500	Electromagnetic	12.6	2.5	15-17	18.0	.001	12.5	Tunable over 500 MHz of J-band at rates up to 100 Hz. The electromagnetic tuner and velocity feedback transducers (LVDT and LVT) provide high-speed random tuning capability with outstanding output frequency monitoring accuracy under all environmental conditions.
L-4527	65	16,200-16,800	Electromagnetic	12.6	2.4	13-15	14.0	.0015	7.0	

### K-BAND COAXIAL — ELECTROMAGNETICALLY TUNED

Tube Type	Min. Peak Power (kw)	Frequency (MHz)	Tuning	Nominal Operating Characteristics				Max. Duty	Max. Wt. (lbs.)	Applications/Comments
				Ef Volts	If Amps	eb kilovolts	ib amps			
L-4558	65.0	32,100-33,100	Electromagnetic	6.3	3.5	16.0	16.0	.001	15.0	Tunable over 1000 MHz of K-band at rates up to 400 Hz. Designed for wideband, high speed frequency diversity radar systems. The electromagnetic tuner and velocity feedback transducers (LVDT and LVT) provide high-speed random tuning capability with outstanding output frequency monitoring accuracy under all environmental conditions.