

# 8168/4CX1000A

## Beam Power Tube

### FORCED-AIR COOLED

#### GENERAL DATA

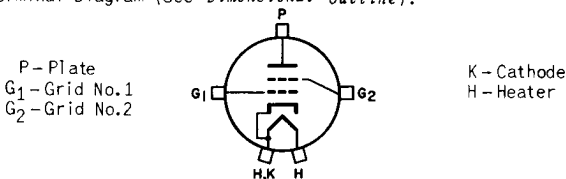
#### Electrical:

	Min.	Av.	Max.	
Heater, for Unipotential				
Cathode:				
Voltage (AC or DC) . . . . .	-	6 ± 5%	-	volts
Current at 6 volts . . . . .	9.5	-	11.5	amp
Heating Time . . . . .	3	-	-	minutes
Transconductance . . . . .	-	37000	-	μmhos
Direct Interelectrode				
Capacitances (Approx.) <sup>a</sup> :				
Grid No.1 to plate . . . . .	-	-	0.02	pf
Grid No.1 to grid No.2, cathode, and heater . . . . .	77	-	90	pf
Plate to grid No.2, cathode, and heater . . . . .	11	-	13	pf

#### Mechanical:

Operating Position . . . . .	Any
Maximum Overall Length . . . . .	4.8"
Maximum Diameter . . . . .	3.365"
Weight (Approx.) . . . . .	27 oz

Terminal Diagram (See *Dimensional Outline*):



#### Thermal:

Seal Temperatures . . . . .	200 max.	°C
Plate Core Temperature . . . . .	250 max.	°C
Incoming Air Temperature . . . . .	40 max.	°C
Air Flow . . . . .	28 min.	cfm
Static Pressure . . . . .	0.25 in.	of water

#### Components:

Socket . . . . . Eimac SK-800 Series, or equivalent



# 8168/4CX1000A

## AF POWER AMPLIFIER & MODULATOR — Class AB<sub>1</sub><sup>b</sup> and LINEAR RF POWER AMPLIFIER Single-Sideband Suppressed-Carrier Service

For frequencies up to 30 Mc

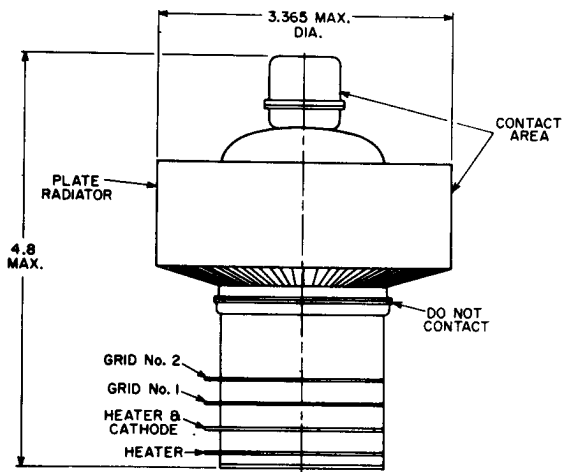
### Maximum CCSC<sup>c</sup> Ratings, Absolute-Maximum Values:

DC Plate Voltage. . . . .	3000 max.	volts
DC Grid-No.2 Voltage. . . . .	400 max.	volts
DC Plate Current. . . . .	1 max.	amp
Grid-No.2 Input . . . . .	12 max.	watts
Grid-No.1 Input . . . . .	0 max.	watts
Plate Dissipation . . . . .	1000 max.	watts

<sup>a</sup> with external shield.

<sup>b</sup> Subscript 1 indicates that grid-No.1 current does not flow during any part of the input cycle.

<sup>c</sup> continuous Commercial Service.



92CS-12091

DIMENSIONS IN INCHES

