

Ferranti

OSCILLOGRAPH TUBE

A miniaturised instrument tube with a rectangular flat face. 'Y' deflection is Electrostatic and 'X' deflection Magnetic.

FOCUS Low voltage Electrostatic

DEFLECTION 'X' ... Magnetic.
'Y' ... Electrostatic
(single end input)

SCREEN.

Phosphor † Type 'D'.
Fluorescence Green.
Persistence Short.
For further details refer to Type 'D' phosphor characteristics at the front of this section of the handbook.
This tube can be supplied with other screen phosphors.

PHYSICAL DETAILS.

Base B9A/D.
Anode Cap CT8 Cavity Type.
Max. Overall Length 275 mm.
Nom. Neck Diameter 22.5 mm.
Min. 'Y' Deflection 42 mm.
For other dimensions see outline drawing overleaf.

BASE CONNECTIONS. *

Pin 1—Cathode. Pin 6—2nd Anode (focus).
Pin 2—No Connection Pin 7—Internal Connection.
Pin 3—Grid. Pin 8—'Y₁' Deflector Plate.
Pin 4—Heater. Pin 9—1st & 3rd Anodes and
Pin 5—Heater. 'Y₂' Deflector Plate.
Side Contact : 1st and 3rd Anodes and 'Y₂' Deflector Plate.

HEATER.

Heater Voltage 6.3 volts.
Heater Current 0.3 amps.

RATING.

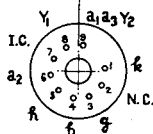
Max. A₁ + A₃ voltage 4 kV.
Min. A₁ + A₃ voltage 1 kV.
Max. V_{h-k} 200 volts.
Max. R_{g-k} 0.5 MΩ
Max. R_{h-k} 1.0 MΩ

TYPICAL OPERATION.

Heater Voltage 6.3 volts.
1st and 3rd Anode Voltage 2 kV.
2nd Anode Voltage for focus -50 to +100 volts.
V_g for visual cut-off -20 to -50 volts.
'Y' Plate Sensitivity 11 v/cm.
† This tube should be fitted with a magnetic shield which must be earthed.

CAPACITANCES.

C_{k-all} <8 pF.
C_{g-all} <8 pF.
C_{y1-all} 2 pF (approx.).



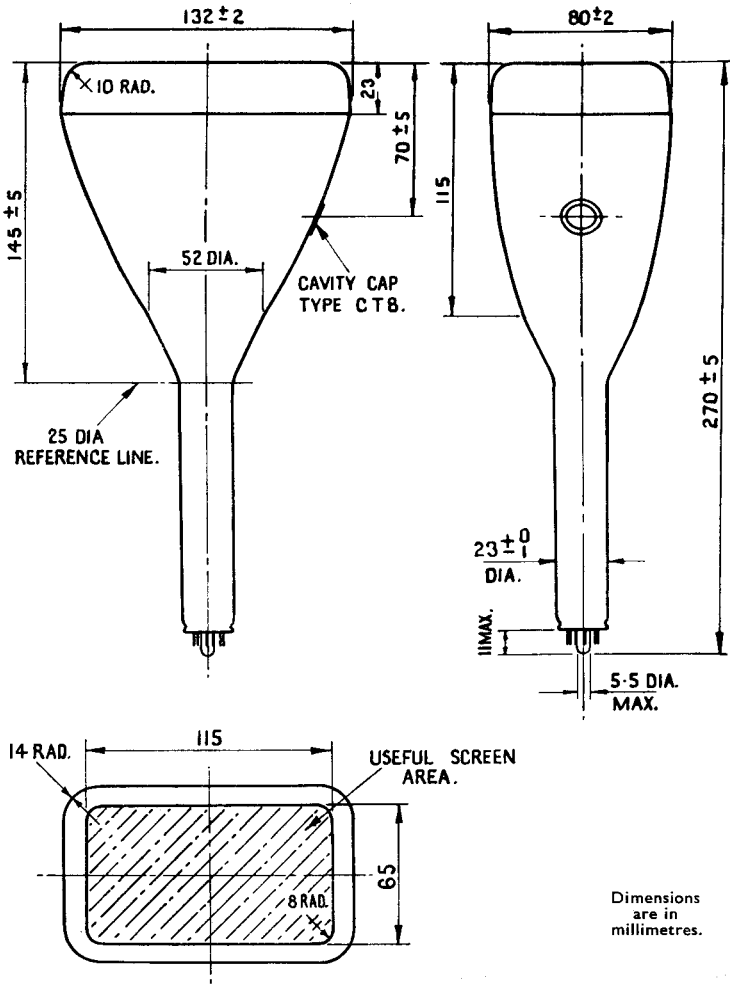
Base
Connections
Underside View
of Base

*This Type of Tube can also be supplied with potted base and flying leads—see Data Sheet for Type 5 × 3/53DE.

† A suitable shield is Type 11467 manufactured by Magnetic and Electrical Alloys Ltd.



5x3/53D



Dimensions are in millimetres.