



# Triode

## 3B/151A

### CATHODE.

Oxide-coated filament		
Voltage	4.5	V
Nominal current	1.6	A

### RATING.

Amplification factor	$\left\{ \begin{array}{l} \text{measured at } V_a \text{ 250V} \\ V_{g_1} \text{—15V} \end{array} \right\}$	7	
Impedance		3500	$\Omega$

### DIRECT INTER-ELECTRODE CAPACITIES.

Grid to anode	6.2	pF
Grid to filament	5	pF
Anode to filament	3.2	pF

### DIMENSIONS.

Maximum overall length	138	mm.
Maximum bulb diameter	46	mm.
Base—American medium 4 pin bayonet with offset pin		
Net weight	60	g.

### MAXIMUM RATINGS.

Maximum direct anode voltage	400	V
Maximum direct anode current	50	mA
Maximum anode dissipation	15	W
Maximum direct grid current	10	mA

## Triode



3B/151A

## TYPICAL OPERATING CONDITIONS

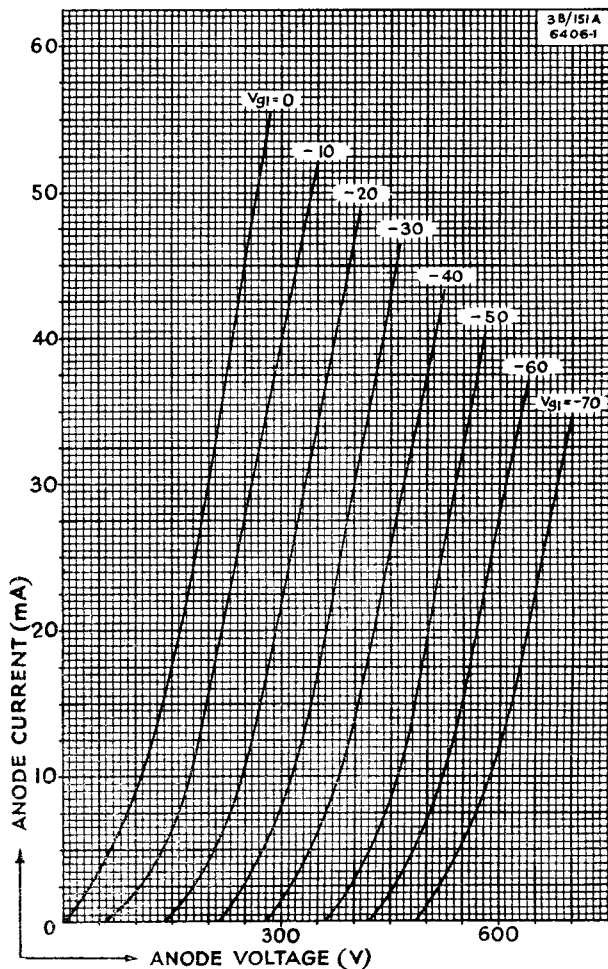
Anode voltage	Grid bias	Anode current	Amplification factor	Anode Resistance	Load Resistance	Power Output	Second Harmonic
volts	volts	mA		ohms	ohms	mW	db
200	— 6	22.5	7.4	4,000	4,000	60	35
					8,000	55	40
250	—22	9	6.9	6,000	6,000	500	18
					12,000	450	22
					18,000	380	26
250	—15	19	7.2	4,350	4,350	310	26
250	—10	27.5	7.4	3,800	3,800	180	33
					7,600	160	38
250	— 5	37.5	7.5	3,500	3,500	50	40
					7,000	45	43
300	—30	8	6.7	6,700	6,700	800	15
					13,400	720	20
					19,100	600	24
300	—24	15.5	7.1	4,800	4,800	750	20
300	—18	25	7.3	4,000	9,600	670	25
					4,000	540	27
350	—22.5	29	7.3	3,800	8,000	480	31
					3,800	875	26
375	—30	22	7.1	4,300	7,600	800	30
					4,300	1,300	20
*300	—10	41	7.4	3,350	8,600	1,200	26
					3,350	200	37
*350	—20	34	7.3	3,600	6,700	180	41
					3,600	750	28
*375	—24	32	7.3	3,650	7,200	675	32
					3,650	1,000	26
*400	—29	30	7.2	3,800	7,300	900	30
					3,800	1,400	23
					7,600	1,300	28

\* Maximum operating conditions.



## Triode

3B/151A

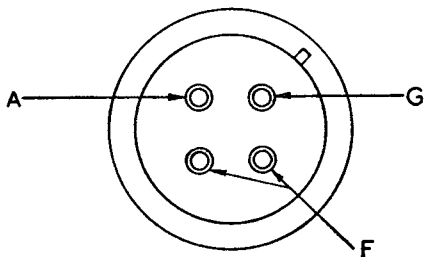
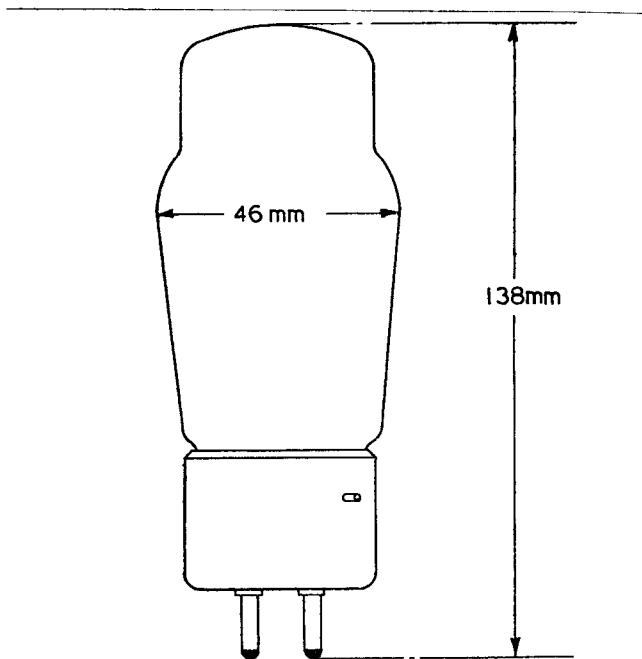


3B/151A

# Triode



3B/151A



June 1946

3B/151A-4